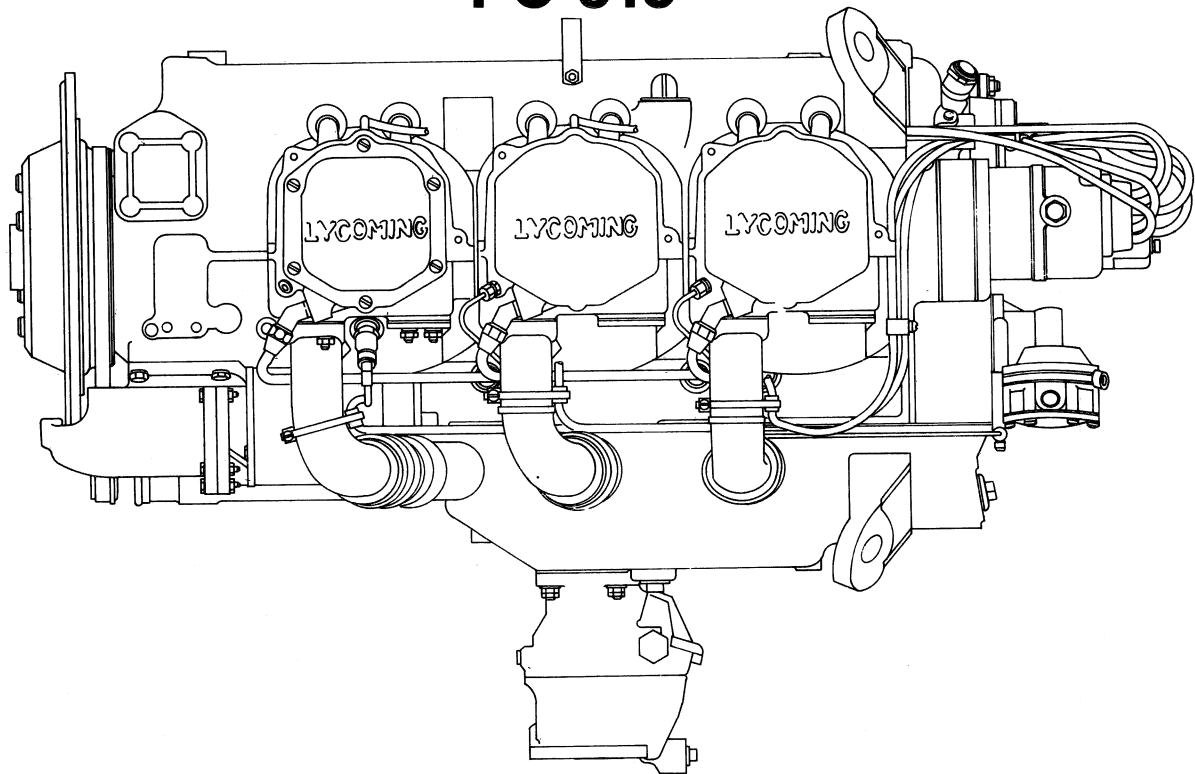


LYCOMING AIRCRAFT ENGINES

O-540 (W.C.F.) MODELS

PARTS CATALOG

PC-515



LYCOMING

652 Oliver Street
Williamsport, PA. 17701 U.S.A.

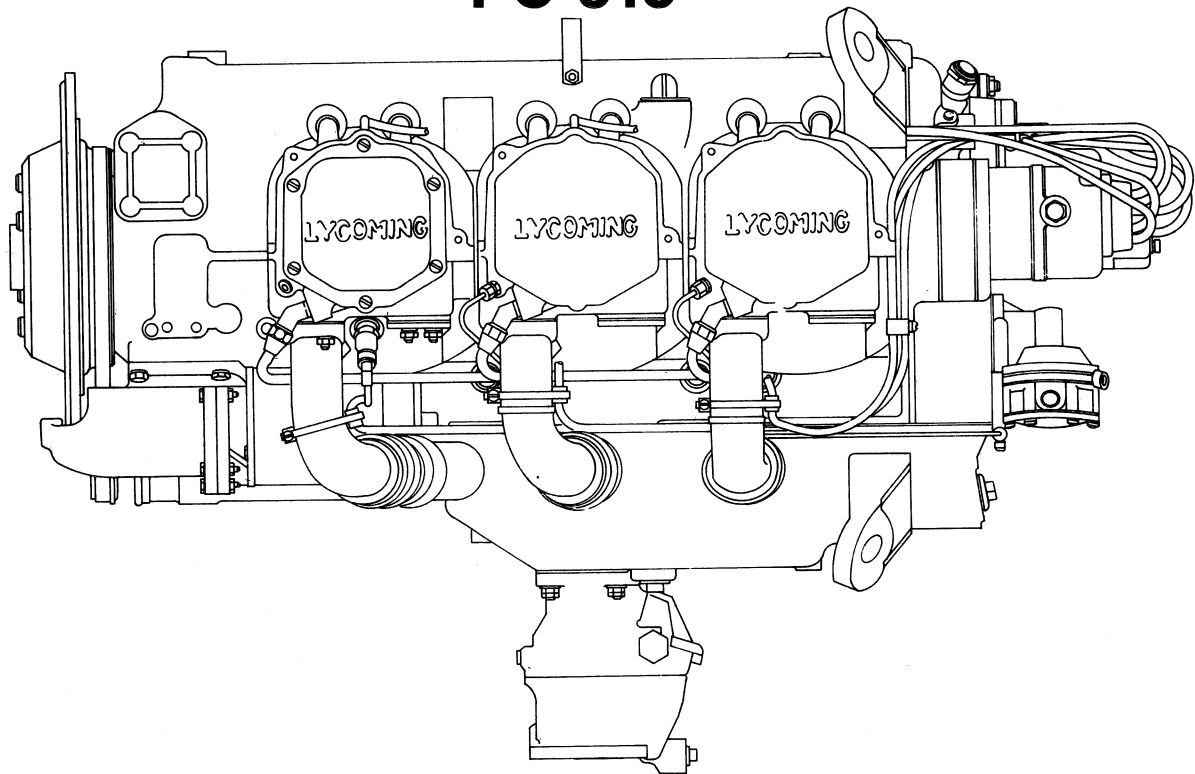
Tel. 570-323-6181
Fax. 570-327-7101

LYCOMING AIRCRAFT ENGINES

O-540 (W.C.F.) MODELS

PARTS CATALOG

PC-515



LYCOMING

652 Oliver Street
Williamsport, PA. 17701 U.S.A.

Tel. 570-323-6181
Fax. 570-327-7101

TECHNICAL PUBLICATION REVISION

| | | | |
|-------------------------------------|--|-------------------------------|--|
| REVISION No. PC-515-1 | PUBLICATION 0-540 Wide Cyl. Flange Parts Catalog | PUBLICATION No. PC-515 | PUBLICATION DATE December, 1978 |
|-------------------------------------|--|-------------------------------|--|

The page(s) furnished herewith are intended to replace the corresponding page(s) of the publication indicated above. If additional copies of the revision are required they may be obtained from Lycoming Division. See Service Letter No. L114H for further information on Lycoming service publications.

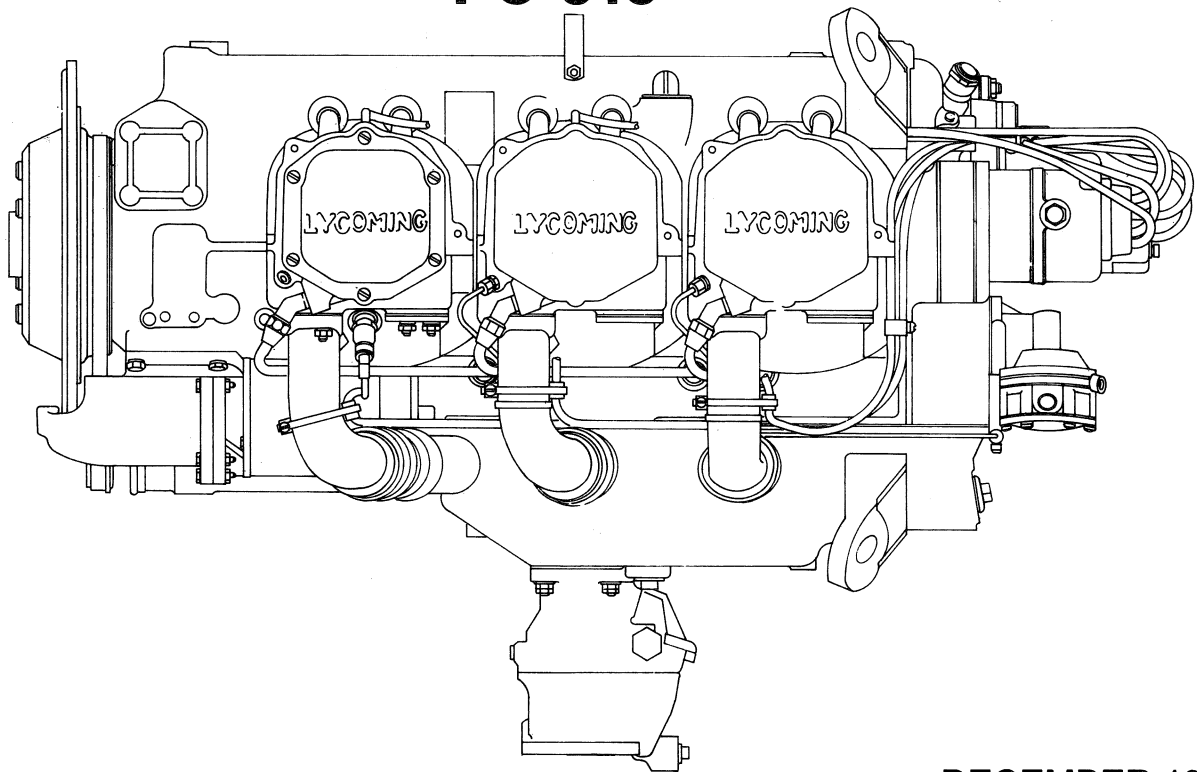
| Previous revisions to this publication | This revision consists of:- |
|--|--|
| None | PC-515-1, March 1979 2-5, 2-6 8-2, 8-3 Reprinted August 1991 Including this Revision |

LYCOMING AIRCRAFT ENGINES

O-540 (W.C.F.) MODELS

PARTS CATALOG

PC-515



DECEMBER 1978
REPRINTED NOVEMBER 2002

LYCOMING

652 Oliver Street
Williamsport, PA. 17701 U.S.A.

Tel. 570-323-6181
Fax. 570-327-7101

INTRODUCTION

This illustrated Parts Catalog provides parts coverage for all current models of 0-540 wide cylinder flange (WCF) series engines. These wide cylinder flange engines are identified by the suffix letter "A" on the engine serial number (e.g. L-18199-40A). The serial number as well as the model designation may be found on the engine nameplate on the oil sump.

Group Assembly Section: This section lists major assemblies and sub-assemblies in the general order of engine build-up.

Service Kit Section: Seal and gasket sets and cylinder, piston and ring kits are provided in this section.

Supersedure Section: This section lists a history of part numbers that have been superseded and gives a brief description of the change involved.

Numerical Index: Quick determination of part location in the catalog is possible thru this section when only the part number is known.

Oversize and Undersize Parts: Procurable oversize and undersize parts are listed preceding the main group assembly parts list.

Vendor Accessories: Parts coverage of Vendor Accessories used on Lycoming engines may be found in the appropriate Vendor's Parts Catalog. A list of the publications appear in the latest edition of Lycoming Service Letter No. L114.

SERVICE BULLETINS, INSTRUCTIONS AND LETTERS

Although the information in this catalog is up-to-date at the time of publication, users are urged to keep abreast of later information through Lycoming Service Bulletins, Instructions and Letters which are available from all Lycoming distributors or from the factory by subscription. Consult the latest edition of Service Letter No. L114 for subscription information.

NOTE

The illustrations, pictures and drawings shown in this publication are typical of the subject matter they portray; in no instance are they to be interpreted as examples of any specific engine, equipment or part thereof.

0-540 SERIES WIDE CYLINDER FLANGE

TABLE OF CONTENTS

| SECTION | PAGE |
|---|------|
| Introduction | i |
| Table of Contents | ii |
| Oversize and Undersize Parts Listing | iii |
| 1 - Crankcase, Crankshaft and Camshaft Group | |
| Crankcase Assembly | 1-1 |
| Oil Level Gages and Engine Mounting Parts | 1-3 |
| Crankcase Related Parts | 1-4 |
| Crankshaft, Camshaft and Related Parts | 1-5 |
| Starter Ring Gear Support Assembly | 1-7 |
| Crankshaft Idler Gears and Tachometer Drive | 1-8 |
| Propeller Governor Drive (Crankcase) | 1-9 |
| Crankcase Attaching Parts | 1-10 |
| 2 - Accessory Housing and Related Parts | |
| Accessory Housing Assembly | 2-1 |
| Oil Pump and Accessory Housing Attaching Parts | 2-2 |
| Fuel Pump Assembly and Attaching Parts | 2-3 |
| Vacuum Pump Fuel Pump Drives and Covers | 2-4 |
| Hydraulic Pump Drive and Cover | 2-5 |
| Oil Pressure Screen Filter and Oil Cooler Bypass Valve | 2-7 |
| 3 - Cylinder, Piston and Valve Train | |
| Connecting Rod, Pistons and Ring Assemblies | 3-1 |
| Cylinder Assembly | 3-2 |
| Valve Assembly | 3-3 |
| Cylinder Related Parts | 3-4 |
| Cylinder Head Drain Tubes and Intercylinder Cooling Baffles | 3-5 |
| 4 - Ignition System | |
| Magneto Drives and Magnetos | 4-1 |
| Magneto Drives, Magnetos, Lead Assemblies and Spark Plugs (Dual Mags) | 4-3 |
| Ignition Harness, Lead Assembly and Spark Plugs | 4-5 |
| 5 - Electrical System | |
| Voltage Regulator, Relays and Alternator Drive Belts | 5-1 |
| Alternators | 5-2 |
| Alternator Mounting and Attaching Parts | 5-3 |
| Starting Motors and Attaching Parts | 5-5 |
| 6 - Oil Sump and Induction System | |
| Oil Sump Assembly and Attaching Parts | 6-1 |
| Oil Suction Screen | 6-2 |
| Intake Pipe and Attaching Parts | 6-3 |
| Carburetors and Related Parts | 6-4 |
| Priming System | 6-5 |
| 7 - Service Kit Section | 7-1 |
| 8 - Supersedure Section | 8-1 |
| 9 - Numerical Index | 9-1 |

**OVERSIZE AND UNDERSIZE PARTS LIST
0-540 SERIES WIDE CYLINDER FLANGE**

| PART NO. | DESCRIPTION | OVERSIZE | | | | | | | UNDERSIZE | | |
|------------|-----------------------------------|--|------|-----|------|-----|-----|-----|-----------|-----|-----|
| | | P05 | P075 | P10 | P125 | P15 | P20 | P30 | M03 | M06 | M10 |
| 76943 | GUIDE, Valve intake | X | | X | | | X | X | | | |
| 66610 | BUSHING, Rocker shaft | X | | X | | | | | | | |
| 66796 | INSERT, Spark plug | | | X | | | | | | | |
| 69796 | DOWEL, Crankshaft bearing | X | | | | | | | | | |
| LW-10647 | DOWEL, Crankshaft bearing | X | | X | | | | | | | |
| 71903-A,-B | BUSHING, Counterweight | SEE SERVICE INSTRUCTION NO. 1143 FOR SIZE. | | | | | | | | | |
| 72057 | SEAT, Intake valve | | | X | | | X | X | | | |
| 72058 | SEAT, Exhaust valve | | | X | | | X | X | | | |
| 72060 | BUSHING, Propeller flange | X | | X | | X | X | | | | |
| 72061 | BUSHING, Propeller flange | X | | X | | X | X | | | | |
| 72062 | BUSHING, Propeller flange | X | | X | | X | X | | | | |
| 72155 | BUSHING, Propeller flange | X | | X | | X | X | | | | |
| 75656 | BUSHING, Propeller flange | X | | X | | X | X | | | | |
| 75657 | BUSHING, Propeller flange | X | | X | | | X | | | | |
| 73810 | BUSHING, Crankshaft counterweight | X | X | X | X | X | | | | | |
| 77160 | GUIDE, Valve exhaust | | | | | | | X | | | |
| LW-13521 | BEARING, Connecting rod | | | | | | | | X | X | X |
| LW-13884 | BEARING, Crankshaft, front | | | | | | | | X | X | X |
| LW-13885 | BEARING, Crankshaft, front | | | | | | | | X | X | X |
| LW-11021 | BEARING, Crankshaft | | | | | | | | X | X | X |
| LW-11575 | BEARING, Crankshaft | | | | | | | | X | X | X |

Studs available in P03, P07 and P12.

NOTE

When ordering oversize and undersize parts, be sure to specify the required oversize and undersize dimension along with the proper part number. For example, to order bearing LW-13521 in .003 undersize, order part number LW-13521-M3. Oversize code letter is "P" while undersize code letter is "M". These letters are then followed by the number designating the size in thousandths of an inch.

LYCOMING O-540 SERIES PARTS CATALOG

WIDE CYLINDER FLANGE CRANKCASE MODEL ENGINES

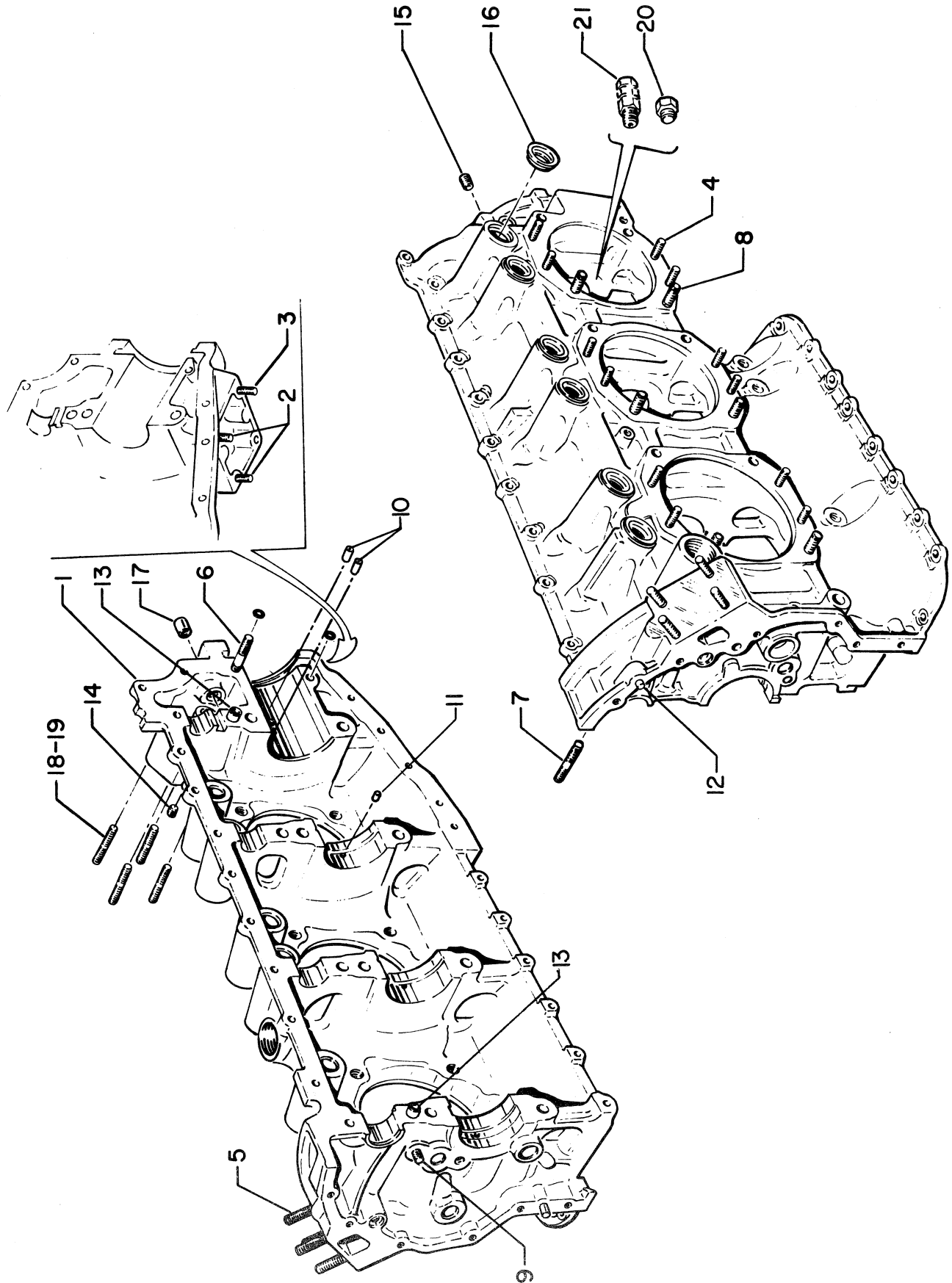


Figure 1 - Crankcase Assembly

LYCOMING O-540 SERIES PARTS CATALOG

WIDE CYLINDER FLANGE CRANKCASE MODEL ENGINES

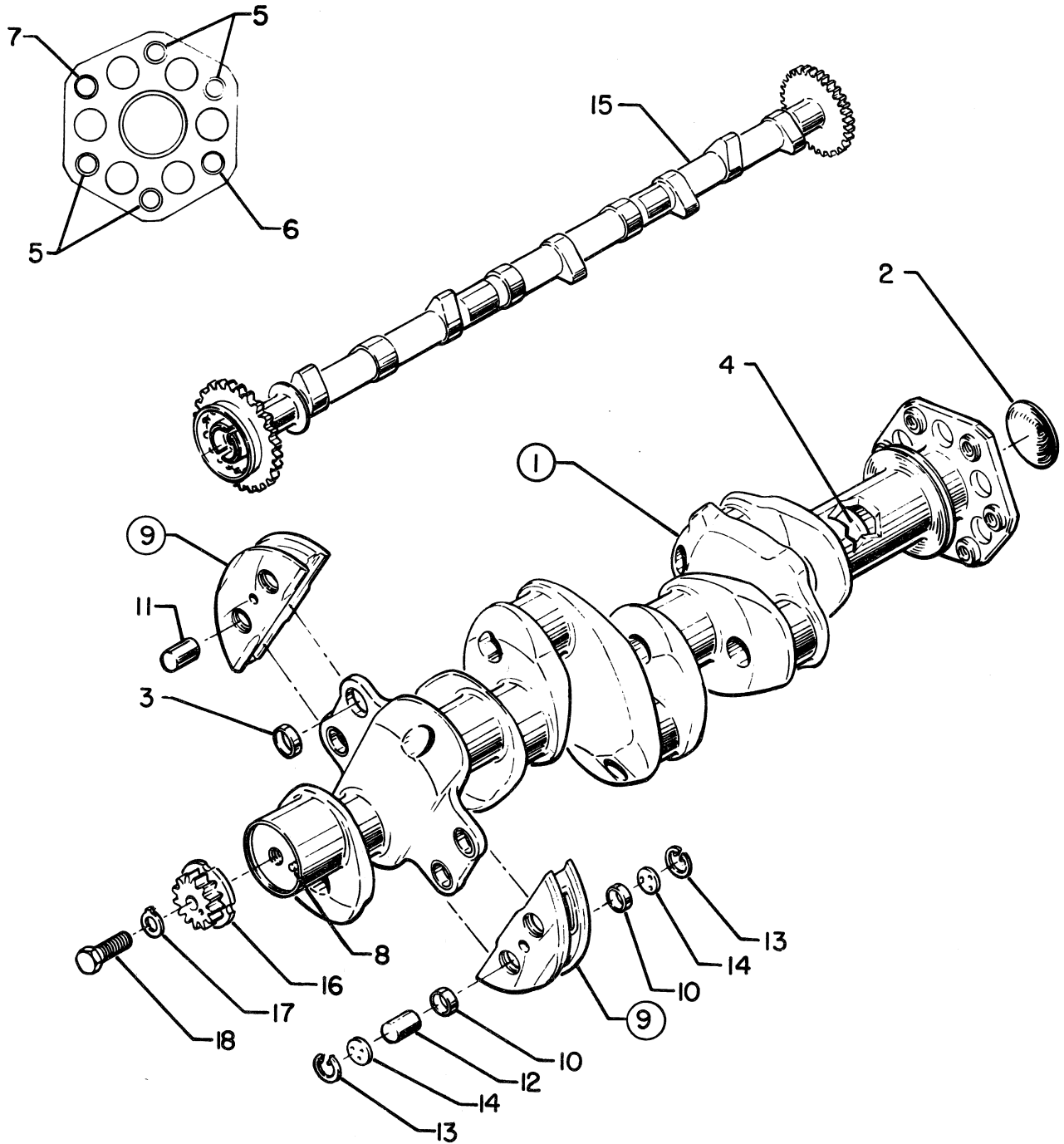


Figure 4 - Crankshaft, Camshaft and Related Parts

LYCOMING 0-540 SERIES PARTS CATALOG

WIDE CYLINDER FLANGE CRANKCASE MODEL ENGINES

CRANKCASE, CRANKSHAFT AND CAMSHAFT GROUP

STARTER RING GEAR SUPPORT ASSEMBLY

| FIG. REF. | PART NUMBER | DESCRIPTION | ON ALL | QUANTITY PER ASSEMBLY | | | | | | | | | | | | | | | | | | | | |
|-----------|-------------|--|--------|-----------------------|---|---|---|---|---|---|---|---|---|---|---|--|--|--|--|--|--|--|--|--|
| | | | | B | D | D | D | E | F | G | H | I | J | K | L | | | | | | | | | |
| 5 | | | | | | | | | | | | | | | | | | | | | | | | |
| 1 | 75030 | SUPPORT ASSY., Starter ring gear, 12/14 pitch, 3.25:1 drive | | | | | | | 1 | | 1 | | | | | | | | | | | | | |
| | 77579 | SUPPORT ASSY., Starter ring gear, 12/14 pitch, 3.25:1 drive | | | | 1 | 1 | 1 | | | 1 | 1 | 1 | | | | | | | | | | | |
| | 72565 | SUPPORT ASSY., Starter ring gear, 12/14 pitch, 1.91:1 drive | | | | | | 1 | | 1 | | | | | | | | | | | | | | |
| 2 | 72566 | GEAR, Starter ring, 12/14 pitch | 1 | | | | | | | | | | | | | | | | | | | | | |

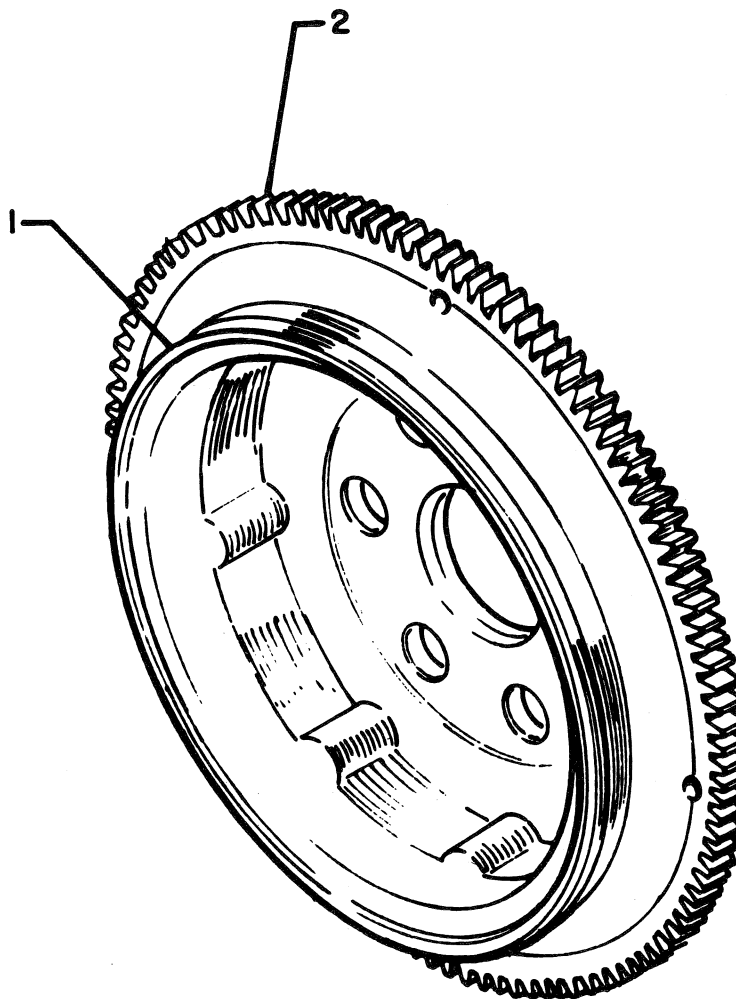


Figure 5

LYCOMING O-540 SERIES PARTS CATALOG

WIDE CYLINDER FLANGE CRANKCASE MODEL ENGINES

CRANKCASE, CRANKSHAFT AND CAMSHAFT GROUP

CRANKSHAFT IDLER GEARS AND TACHOMETER DRIVE

| FIG. REF. | PART NUMBER | DESCRIPTION | ON ALL | QUANTITY PER ASSEMBLY | | | | | | | | | | | | | | | | | | |
|-----------|--------------|---|--------|-----------------------|---|---|---|----|----|----|----|----|----|----|----|--|--|--|---|---|--|--|
| | | | | 6 | 7 | 8 | 9 | 10 | 11 | 12 | 13 | 14 | 15 | 16 | 17 | | | | | | | |
| 1 | 61544 | PLUNGER, Fuel pump, long | 1 | | | | | | | | | | | | | | | | | | | |
| 2 | 71668 | GEAR ASSY., Crankshaft idler, plain | | | 1 | 2 | 1 | 1 | 1 | 1 | 1 | | | | | | | | | | | |
| | 71652 | GEAR ASSY., Crankshaft idler | | | 1 | 1 | 1 | 1 | 1 | 1 | 1 | | | | | | | | | | | |
| 3 | 67530 | BUSHING, Crankshaft idler gear | | | 2 | 2 | 2 | 2 | 2 | 2 | 2 | | | | | | | | | | | |
| 4 | LW-10290 | GEAR ASSY., Crankshaft idler | | | | | | | | | | | | | | | | | 1 | 1 | | |
| | LW-10297 | GEAR ASSY., Crankshaft idler | | | | | | | | | | | | | | | | | 1 | 1 | | |
| 5 | 76155 | SHAFT ASSY., Tachometer | 1 | | | | | | | | | | | | | | | | | | | |
| 6 | 78368 | PIN, 3/16 dia. x 2-21/64 long | 1 | | | | | | | | | | | | | | | | | | | |
| 7 | 76118 | SPACER, Tach. shaft centering | 1 | | | | | | | | | | | | | | | | | | | |
| 8 | MS16625-1081 | RING, Internal retaining | 1 | | | | | | | | | | | | | | | | | | | |
| 9 | LW-13795 | SHAFT, Crankshaft idler gear | | | 2 | 2 | 2 | 2 | 2 | 2 | 2 | | | | | | | | | | | |
| 10 | STD-2167 | SCREW, 5/16-18 x 43/64 long, hex hd. dr. | | | 3 | 3 | 3 | 3 | 3 | 3 | 3 | | | | | | | | | | | |
| 11 | STD-2168 | NUT, 5/16-18 NC-3 slotted shear | | | 1 | 1 | 1 | 1 | 1 | 1 | 1 | | | | | | | | | | | |

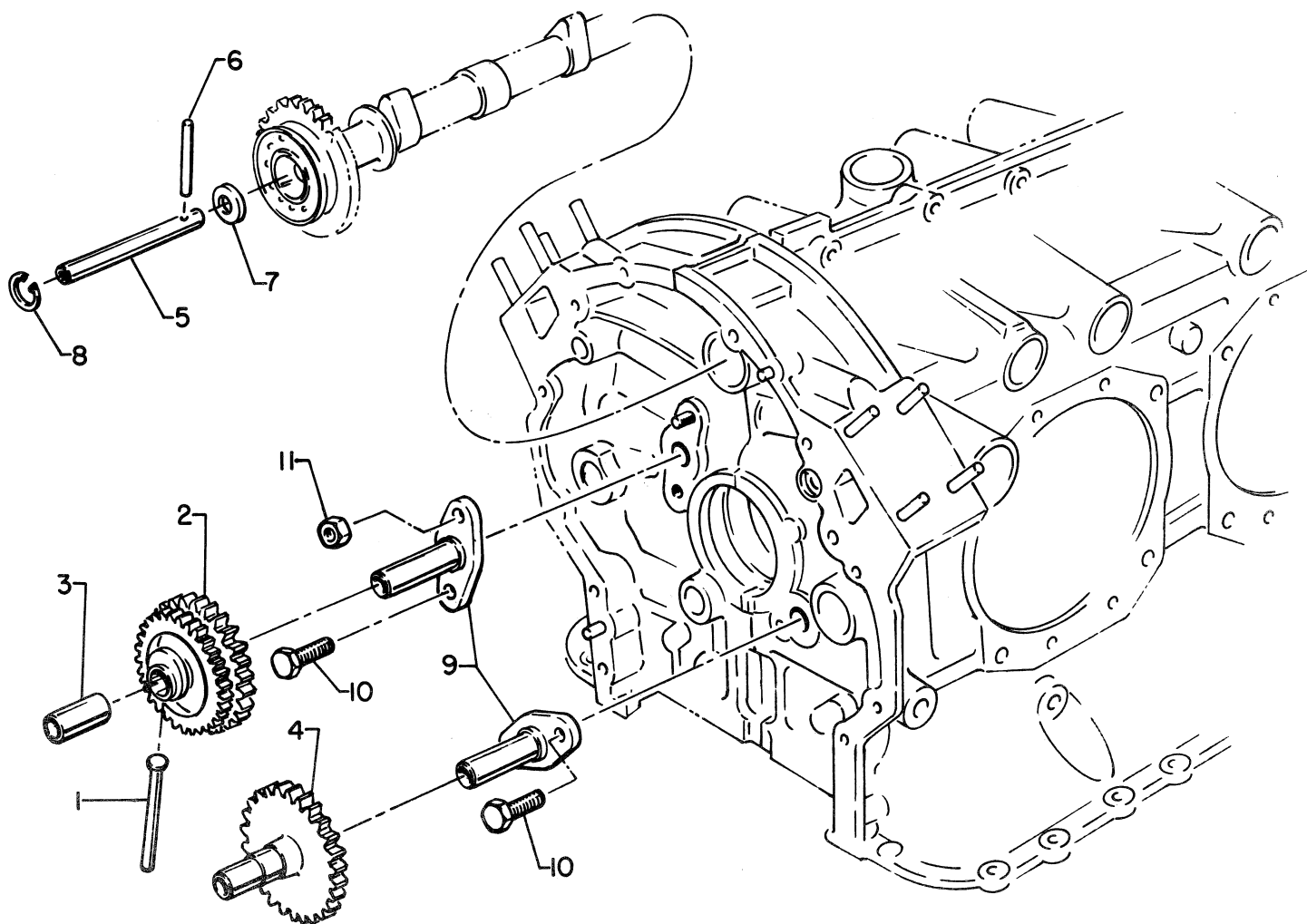


Figure 6

LYCOMING 0-540 SERIES PARTS CATALOG

WIDE CYLINDER FLANGE CRANKCASE MODEL ENGINES

CRANKCASE, CRANKSHAFT AND CAMSHAFT GROUP

PROPELLER GOVERNOR DRIVE (CRANKCASE)

| FIG. REF. | PART NUMBER | DESCRIPTION | ON ALL | QUANTITY PER ASSEMBLY | | | | | | | | | | | | | | | | | | | | | | | | | | | | | | | |
|-----------|--------------|--|--------|---|---|---|---|---|----|----|----|----|----|----|----|---|--|--|--|--|--|--|--|--|--|--|--|--|--|--|--|--|--|--|--|
| | | | | <table border="1"> <tr> <td style="background-color: #cccccc;"></td><td style="background-color: #cccccc;"></td><td style="background-color: #cccccc;"></td><td style="background-color: #cccccc;"></td><td style="background-color: #cccccc;"></td><td style="background-color: #cccccc;"></td><td style="background-color: #cccccc;"></td><td style="background-color: #cccccc;"></td><td style="background-color: #cccccc;"></td><td style="background-color: #cccccc;"></td><td style="background-color: #cccccc;"></td><td style="background-color: #cccccc;"></td><td style="background-color: #cccccc;"></td><td style="background-color: #cccccc;"></td><td style="background-color: #cccccc;"></td><td style="background-color: #cccccc;"></td> </tr> </table> | | | | | | | | | | | | | | | | | | | | | | | | | | | | | | | |
| | | | | | | | | | | | | | | | | | | | | | | | | | | | | | | | | | | | |
| 1 | 2 | 3 | 4 | 5 | 6 | 7 | 8 | 9 | 10 | 11 | 12 | 13 | 14 | 15 | 16 | | | | | | | | | | | | | | | | | | | | |
| 1 | LW-10442 | GEAR, Prop. governor drive | | | | | | | 1 | 1 | 1 | 1 | 1 | 1 | | | | | | | | | | | | | | | | | | | | | |
| 2 | LW-14021 | SHAFT, Prop. governor idler gear | | | | | | | 1 | 1 | 1 | 1 | 1 | 1 | | | | | | | | | | | | | | | | | | | | | |
| 3 | LW-10541 | GEAR ASSY., Prop. governor, idler | | | | | | | 1 | 1 | 1 | 1 | 1 | 1 | | | | | | | | | | | | | | | | | | | | | |
| 4 | 77872 | BUSHING, Prop. governor idler gear | | | | | | | | | | | | | | | | | | | | | | | | | | | | | | | | | |
| | | gear | | | | | | | 2 | 2 | 2 | 2 | 2 | 2 | | | | | | | | | | | | | | | | | | | | | |
| 5 | STD-19 | DOWEL, 3/32 dia. x 7/32 long | | | | | | | 1 | 1 | 1 | 1 | 1 | 1 | | | | | | | | | | | | | | | | | | | | | |
| 6 | STD-798 | DOWEL, 3/32 dia. x 9/32 long | | | | | | | 1 | 1 | 1 | 1 | 1 | 1 | | | | | | | | | | | | | | | | | | | | | |
| 7 | 73249 | WASHER, Thrust | | | | | | | un | un | un | un | un | un | | | | | | | | | | | | | | | | | | | | | |
| | 73250 | WASHER, Thrust | | | | | | | un | un | un | un | un | un | | | | | | | | | | | | | | | | | | | | | |
| | 73251 | WASHER, Thrust | | | | | | | un | un | un | un | un | un | | | | | | | | | | | | | | | | | | | | | |
| | 73252 | WASHER, Thrust | | | | | | | un | un | un | un | un | un | | | | | | | | | | | | | | | | | | | | | |
| 8 | AN565B1032H5 | SET SCREW, No. 10-32 x 5/16 long | | | | | | | 1 | 1 | 1 | 1 | 1 | 1 | | | | | | | | | | | | | | | | | | | | | |
| 9 | 70455 | GASKET, 25/32 ID x 1-1/8 OD x 1/16 thick | 1 | | | | | | | | | | | | | | | | | | | | | | | | | | | | | | | | |
| 10 | LW-13896 | PLUG, 3/4-16 hex hd. | 1 | | | | | | | | | | | | | | | | | | | | | | | | | | | | | | | | |
| 11 | 72053 | GASKET, Governor | 1 | | | | | | | | | | | | | | | | | | | | | | | | | | | | | | | | |
| 12 | 72378 | COVER, Governor drive | 1 | | | | | | | | | | | | | | | | | | | | | | | | | | | | | | | | |
| 13 | STD-35 | WASHER, 5/16 plain | | | | | | | 4 | 4 | un | un | un | un | un | 4 | | | | | | | | | | | | | | | | | | | |
| 14 | STD-475 | WASHER, Internal lock, 5/16 in. | 4 | | | | | | | | | | | | | | | | | | | | | | | | | | | | | | | | |
| 15 | STD-1410 | NUT, 5/16-18 plain | 4 | | | | | | | | | | | | | | | | | | | | | | | | | | | | | | | | |
| 16 | 78589 | PLUG, Prop. gov. idler shaft | | | | | | | 1 | 1 | | | | | | 1 | | | | | | | | | | | | | | | | | | | |
| 17 | 74058 | PLUG, Prop. gov. drive gear | | | | | | | 1 | 1 | | | | | | 1 | | | | | | | | | | | | | | | | | | | |

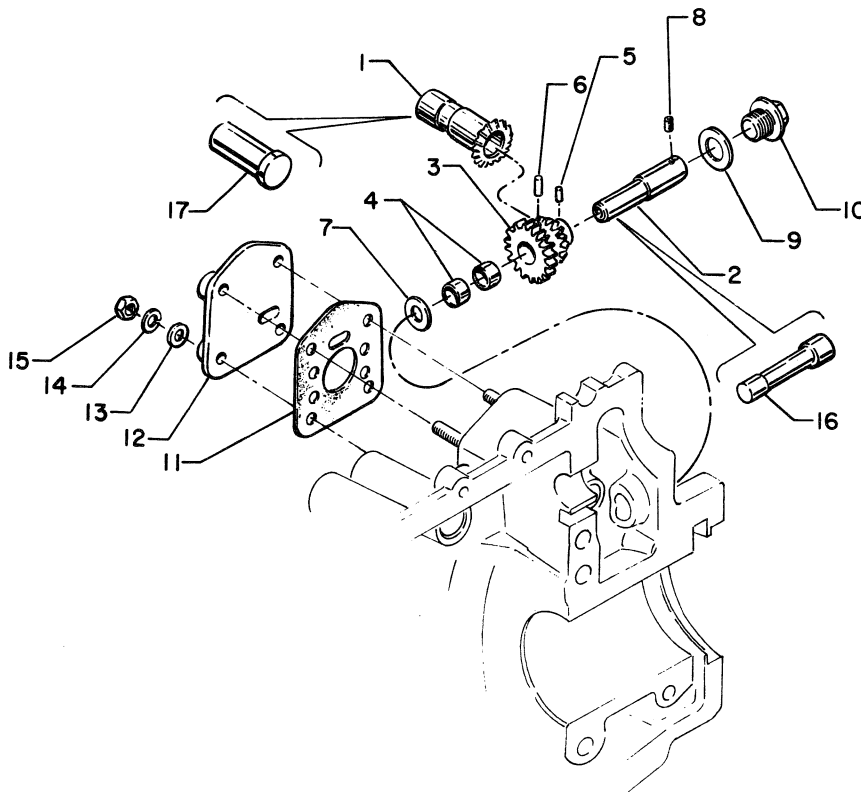


Figure 7

1-9

LYCOMING 0-540 SERIES PARTS CATALOG

WIDE CYLINDER FLANGE CRANKCASE MODEL ENGINES

ACCESSORY HOUSING AND RELATED PARTS

FUEL PUMP ASSEMBLY AND ATTACHING PARTS

| FIG. REF. | PART NUMBER | DESCRIPTION | ON ALL | QUANTITY PER ASSEMBLY | | | | | | | | | | | | | | | | | | | |
|-----------|-------------|---|--------|-----------------------|---|---|---|---|---|---|---|---|---|---|---|---|---|---|---|---|---|---|---|
| | | | | B | B | B | B | B | B | B | B | B | B | B | B | B | B | B | B | B | B | B | B |
| 11 | | | | | | | | | | | | | | | | | | | | | | | |
| 1 | 60096 | GASKET, Fuel pump | 1 | | | | | | | | | | | | | | | | | | | | |
| 2 | 75246 | FUEL PUMP, Dual diaphragm | 1 | | | | | | | | | | | | | | | | | | | | |
| 3 | STD-33 | WASHER, Plain, 3/8 | 2 | | | | | | | | | | | | | | | | | | | | |
| 4 | STD-1882 | SCREW, Socket hd., 3/8-16 x 1-9/32 long, dr. hd. | 2 | | | | | | | | | | | | | | | | | | | | |

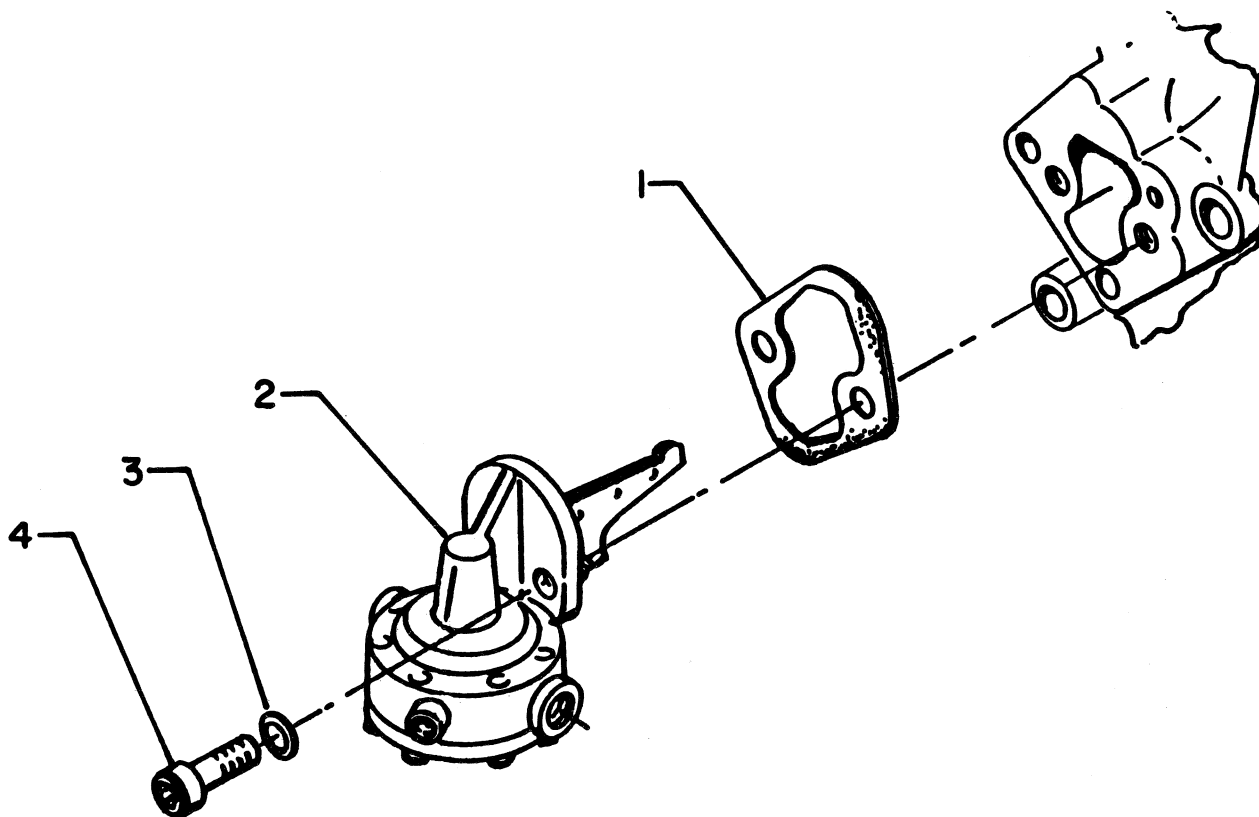


Figure 11
2-3

LYCOMING 0-540 SERIES PARTS CATALOG

WIDE CYLINDER FLANGE CRANKCASE MODEL ENGINES

ACCESSORY HOUSING AND RELATED PARTS

VACUUM PUMP, FUEL PUMP DRIVES AND COVERS

| FIG. REF. | PART NUMBER | DESCRIPTION | ON ALL | QUANTITY PER ASSEMBLY | | | | | | | | | | | | | | |
|-----------|-------------|---|--------|-----------------------|------|------|------|------|------|------|------|------|------|------|------|--|--|---|
| | | | | 6120 | 6125 | 6130 | 6135 | 6140 | 6145 | 6150 | 6155 | 6160 | 6165 | 6170 | 6175 | | | |
| 1 | 61183 | GASKET, Accessory adapter | | | | 1 | 1 | 1 | 1 | 1 | 1 | | | | | | | |
| 2 | 67536 | ADAPTER ASSY., Vacuum pump | | | | | | | 1 | 1 | 1 | | | | | | | |
| 3 | STD-1774 | DOWEL, 1/8 dia. x 1/4 long | | | | | | | 1 | 1 | 1 | | | | | | | |
| 4 | STD-208 | OIL SEAL, 7/8 ID x 1-1/2 OD x 5/16 wide | | | | | | | | | | | | | | | | 1 |
| 5 | 72974 | GEAR ASSY., Vacuum pump driven | | | | | | | | 1 | 1 | 1 | | | | | | |
| 6 | LW-10307 | GEAR ASSY., Accessory driven | | | | | | | | | | | | | | | | 1 |
| 7 | LW-10303 | PLUG, Vacuum pump drive | | | | | | | | | | | | | | | | 1 |
| 8 | 71596 | WASHER, Accessory driven gear | | | | | | | | 1 | 1 | 1 | | | | | | 1 |
| 9 | 8313 | GASKET, Vacuum pump | | | | | | | | 1 | 1 | 1 | | | | | | 1 |
| 10 | 60430 | COVER, Vacuum pump | 1 | | | | | | | | | | | | | | | |
| 11 | 68593 | SPACER, Vacuum pump stud | | | | 4 | 4 | 4 | | | | 4 | 4 | | | | | |
| 12 | STD-8 | WASHER, Plain, 1/4 in. | 4 | | | | | | | | | | | | | | | |
| 13 | STD-160 | WASHER, Internal lock, 1/4 in. | 4 | | | | | | | | | | | | | | | |
| 14 | STD-1411 | NUT, Plain, 1/4-20 in. | 4 | | | | | | | | | | | | | | | |

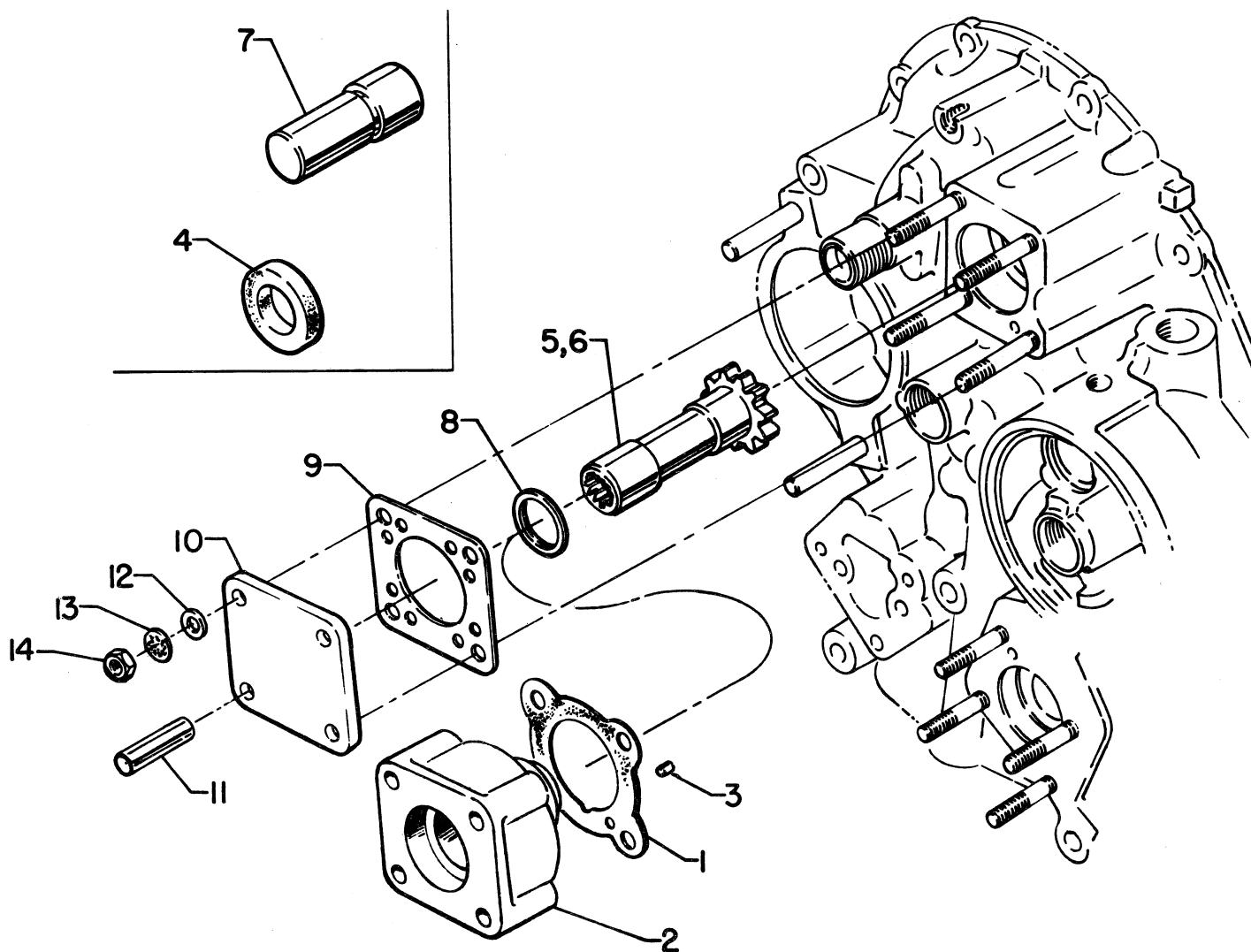


Figure 12
2-4

LYCOMING O-540 SERIES PARTS CATALOG

WIDE CYLINDER FLANGE CRANKCASE MODEL ENGINES

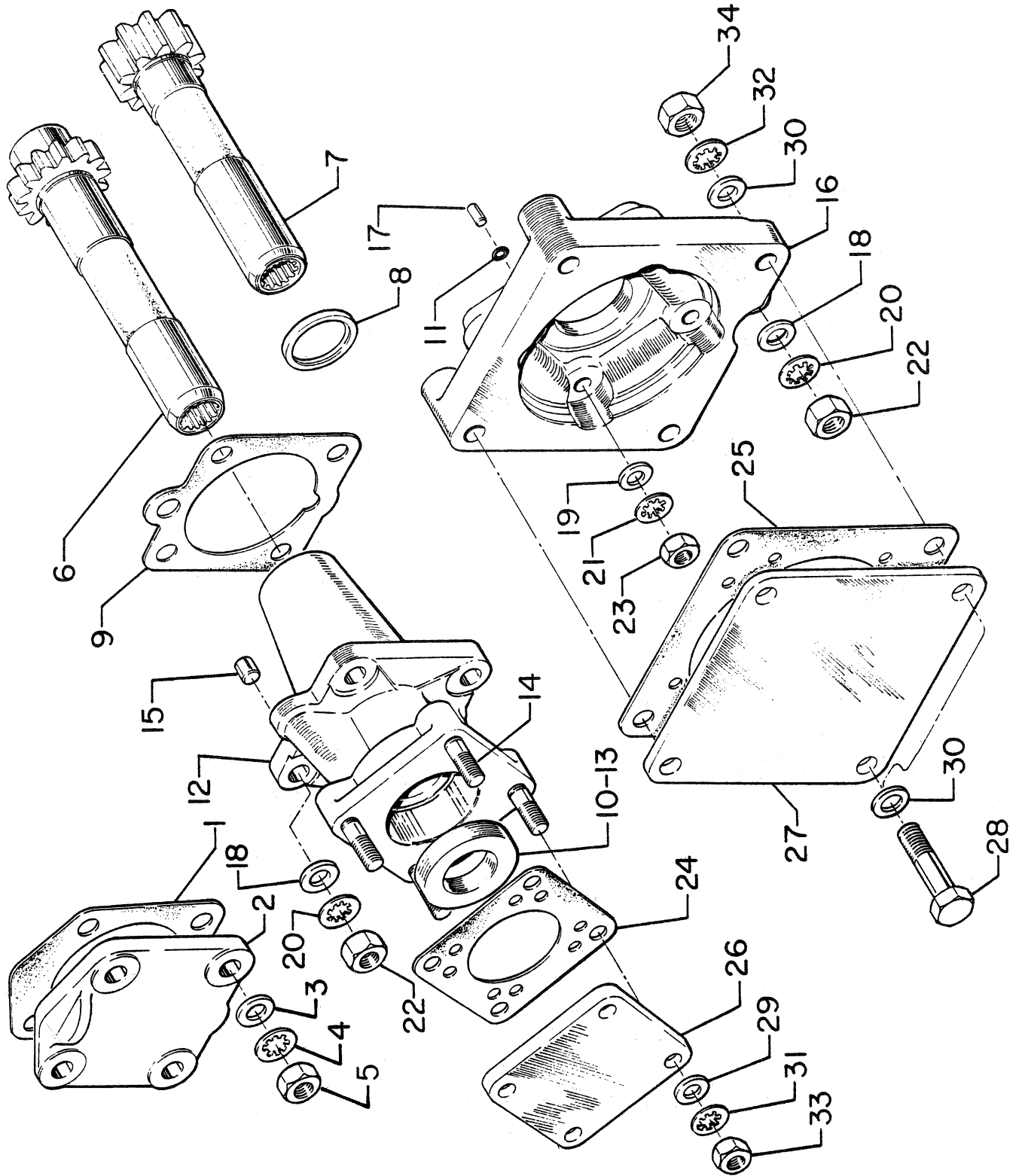


Figure 13 - Hydraulic Pump Drive and Cover

LYCOMING O-540 SERIES PARTS CATALOG

WIDE CYLINDER FLANGE CRANKCASE MODEL ENGINES

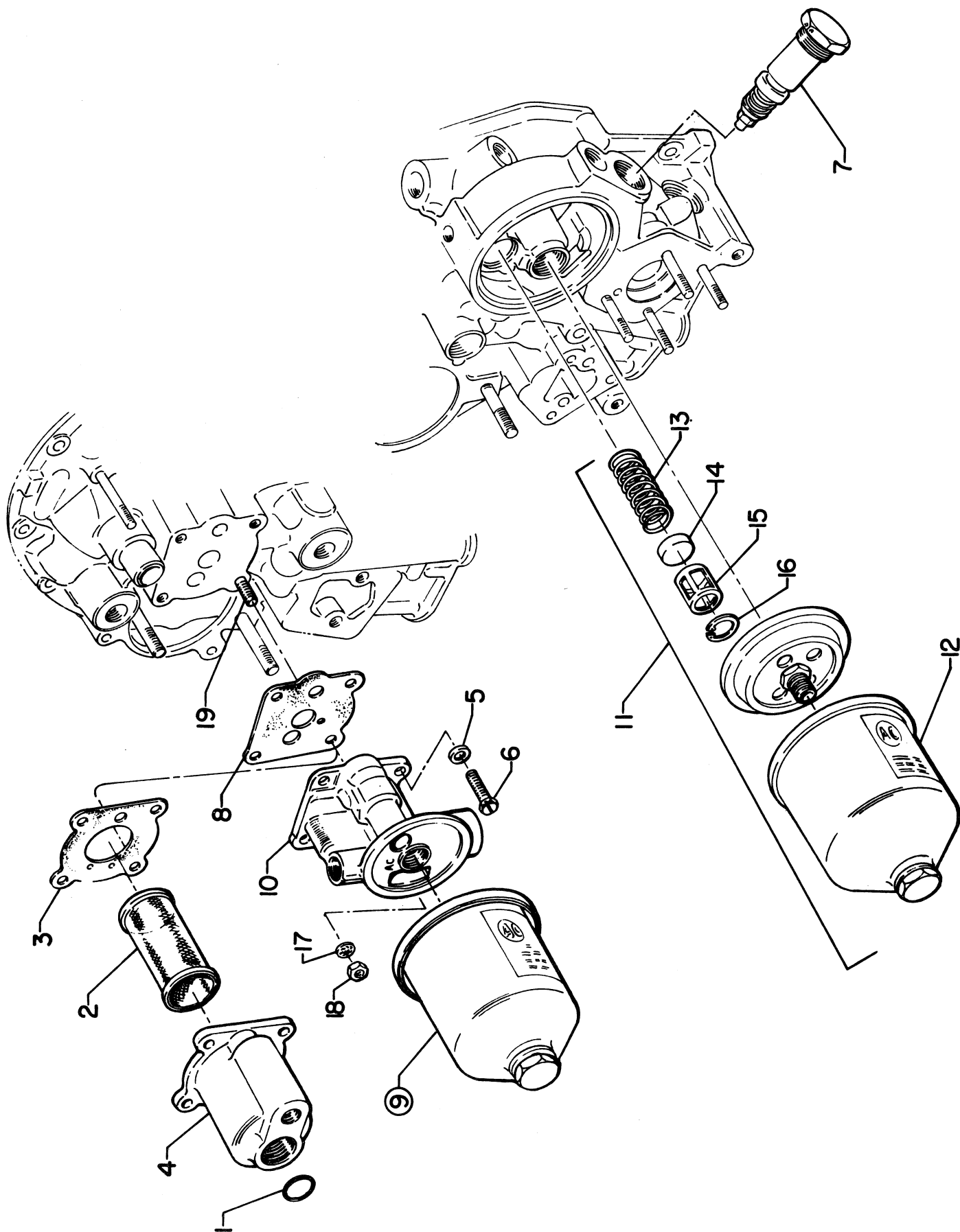


Figure 14 - Oil Pressure Screen, Filter and Oil Cooler Bypass Valve

LYCOMING 0-540 SERIES PARTS CATALOG

WIDE CYLINDER FLANGE CRANKCASE MODEL ENGINES

CYLINDER, PISTON AND VALVE TRAIN

CYLINDER HEAD DRAIN TUBES AND INTERCYLINDER COOLING BAFFLES

| FIG. REF. | PART NUMBER | DESCRIPTION | ON ALL | QUANTITY PER ASSEMBLY | | | | | | | | | | | | | | | | | | |
|-----------|---------------|--|--------|-----------------------|----|----|----|----|----|----|----|----|-----|-----|--|--|--|--|--|--|--|--|
| | | | | 1B | 2B | 3B | 4B | 5B | 6B | 7B | 8B | 9B | 10B | 11B | | | | | | | | |
| 19 | | | | | | | | | | | | | | | | | | | | | | |
| 1 | STD-684 | NIPPLE, Straight, 3/8 ID hose | 6 | | | | | | | | | | | | | | | | | | | |
| 2 | STD-1821 | HOSE, 3/8 ID x 2-1/2 long | 6 | | | | | | | | | | | | | | | | | | | |
| 3 | LW-15592-5-05 | CLAMP, Hose | 12 | | | | | | | | | | | | | | | | | | | |
| 4 | 68759 | TUBE ASSY., No. 1 cylinder head oil drain | 1 | | | | | | | | | | | | | | | | | | | |
| 5 | 71737 | TUBE ASSY., No. 2 cylinder head oil drain | 1 | | | | | | | | | | | | | | | | | | | |
| 6 | 68761 | TUBE ASSY., No. 3,4,5,6 cylinder head oil drain | 4 | | | | | | | | | | | | | | | | | | | |
| 7 | 75339 | BAFFLE ASSY., Intercylinder | 4 | | | | | | | | | | | | | | | | | | | |
| 8 | 71611 | RETAINER, Intercylinder baffle | 4 | | | | | | | | | | | | | | | | | | | |
| 9 | 71610 | HOOK, Intercylinder baffle | 4 | | | | | | | | | | | | | | | | | | | |

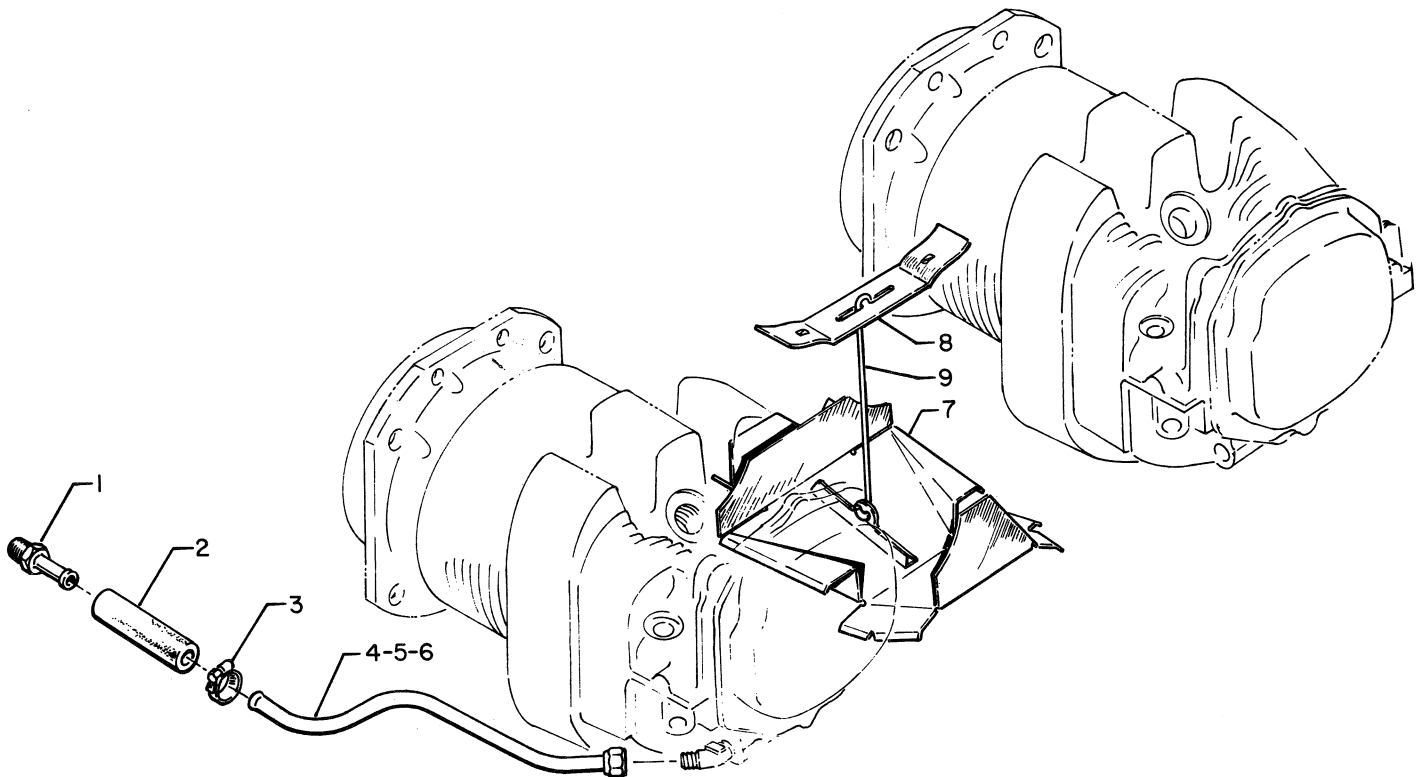


Figure 19
3-5

INTENTIONALLY

LEFT

BLANK

LYCOMING 0-540 SERIES PARTS CATALOG

WIDE CYLINDER FLANGE CRANKCASE MODEL ENGINES

IGNITION SYSTEM

MAGNETO DRIVES AND MAGNETOS

| FIG. REF. | PART NUMBER | DESCRIPTION | ON ALL | QUANTITY PER ASSEMBLY | | | | | | | | | | | | | | |
|-----------|--------------|--|--------|-----------------------|-----|-----|-----|-----|-----|-----|-----|-----|-----|--|--|--|--|--|
| | | | | 100 | 100 | 100 | 100 | 100 | 100 | 100 | 100 | 100 | 100 | | | | | |
| 20 | | | | | | | | | | | | | | | | | | |
| 1 | LW-12136 | CUSHION, Magneto drive | | | 4 | 4 | 4 | 4 | 4 | 4 | 4 | | | | | | | |
| 2 | 62224 | GASKET, Magneto adapter and magneto | | | 4 | 2 | 4 | 4 | 4 | 2 | 2 | | | | | | | |
| 3 | LW-12707 | ADAPTER, Magneto | | | 2 | 2 | 2 | 2 | 2 | 2 | | | | | | | | |
| 4 | LW-12681 | GASKET, Magneto | | | | 2 | | | | 2 | 2 | | | | | | | |
| 5 | 73000 | COUPLING, Magneto drive | | | 1 | 1 | 1 | 1 | 1 | 1 | | | | | | | | |
| 6 | 73013 | COUPLING, Magneto drive (retard breaker) | | | | | | | | 1 | | | | | | | | |
| 7 | LW-51365-46 | MAGNETO | | | 1 | | 1 | | | | | | | | | | | |
| | LW-51365-47 | MAGNETO, Impulse coupling | | | 1 | | 1 | | | | | | | | | | | |
| | LW-163050-9 | MAGNETO | | | | | | | 1 | 1 | | | | | | | | |
| | LW-163010-10 | MAGNETO | | | | | | | 1 | | | | | | | | | |
| | LW-349310-1 | MAGNETO, S6LN-1209 | | | | 1 | | | | | | 1 | | | | | | |
| | LW-349370-4 | MAGNETO, S6LN-1227 (35° lag) | | | | 1 | | | | | 1 | 1 | | | | | | |
| | LW-51365-57 | MAGNETO, Impulse coupling S6LN-21 | | | | | 1 | | | 1 | | | | | | | | |
| | LW-349310-8 | MAGNETO, S6LN-1209, electric tach. pick-up | | | | | | | | | | 1 | | | | | | |
| 8 | 75965 | CLAMP, Magneto | | | | 4 | | | | 4 | 4 | | | | | | | |
| 9 | STD-1727 | WASHER, 3/4 OD x 21/64 ID x 1/8 thick | | | | 4 | | 4 | 4 | 4 | | | | | | | | |
| 10 | STD-475 | WASHER, 5/16 internal lock | | | | 4 | 4 | 4 | 4 | 4 | 4 | | | | | | | |
| 11 | STD-1410 | NUT, 5/16-18 plain | | | | 4 | 4 | 4 | 4 | 4 | 4 | | | | | | | |
| 12 | LW-52305-1 | KIT ASSY., Magneto ground terminal | | | | 2 | 2 | | | | | | | | | | | |
| | LW-157209 | KIT, Magneto ground terminal | | | | | | | 2 | | | | | | | | | |
| | LW-157208 | KIT, Magneto retard terminal | | | | | | | | 1 | | | | | | | | |
| 13 | 67542 | BEARING, Ball | | | | 2 | 2 | 2 | 2 | 2 | 2 | | | | | | | |
| 14 | 74830 | GEAR, Retainer magneto drive | | | | 2 | 2 | 2 | 2 | 2 | 2 | | | | | | | |

LYCOMING 0-540 SERIES PARTS CATALOG

WIDE CYLINDER FLANGE CRANKCASE MODEL ENGINES

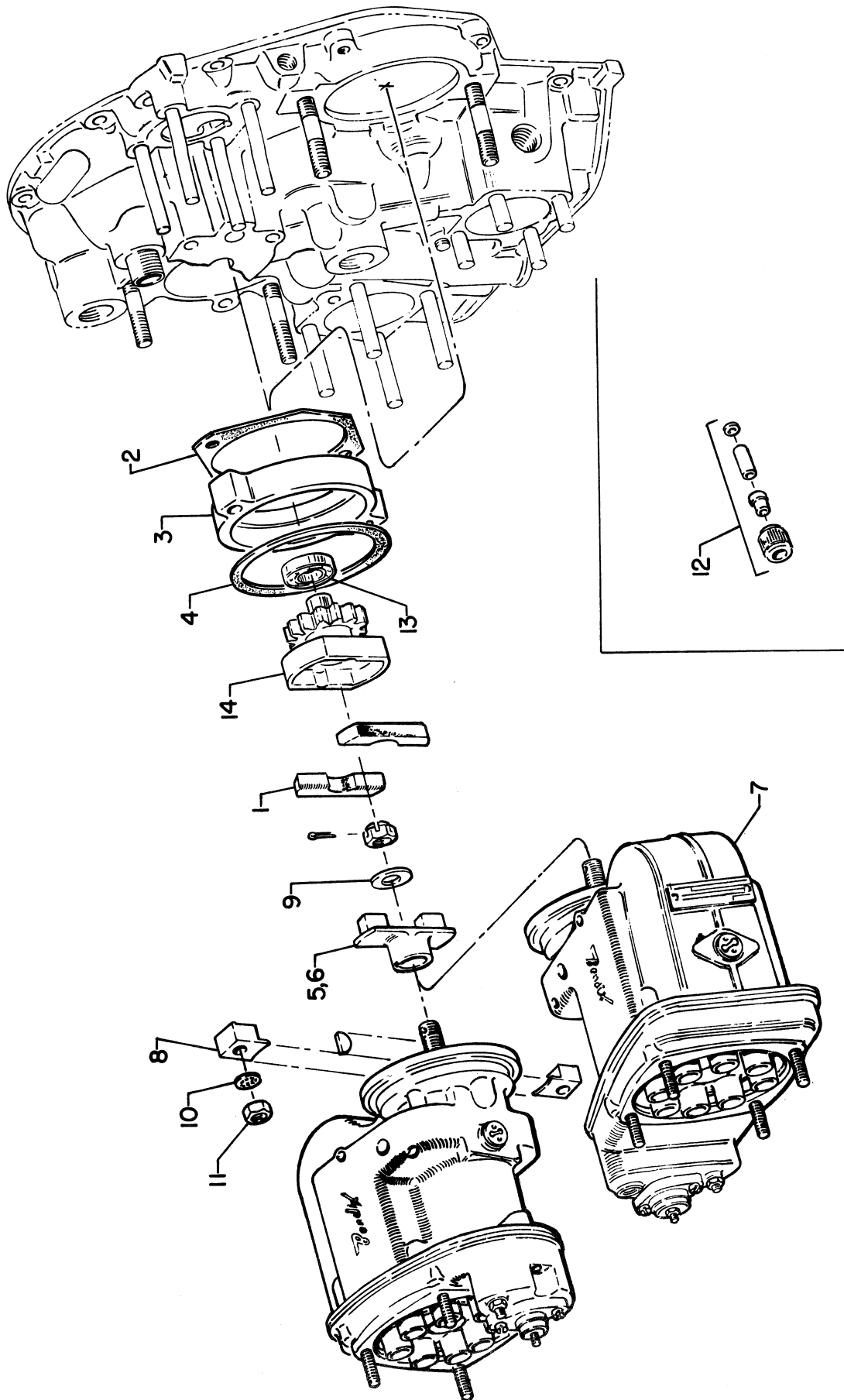


Figure 20 - Magneto Drives and Magnetos

LYCOMING 0-540 SERIES PARTS CATALOG

WIDE CYLINDER FLANGE CRANKCASE MODEL ENGINES

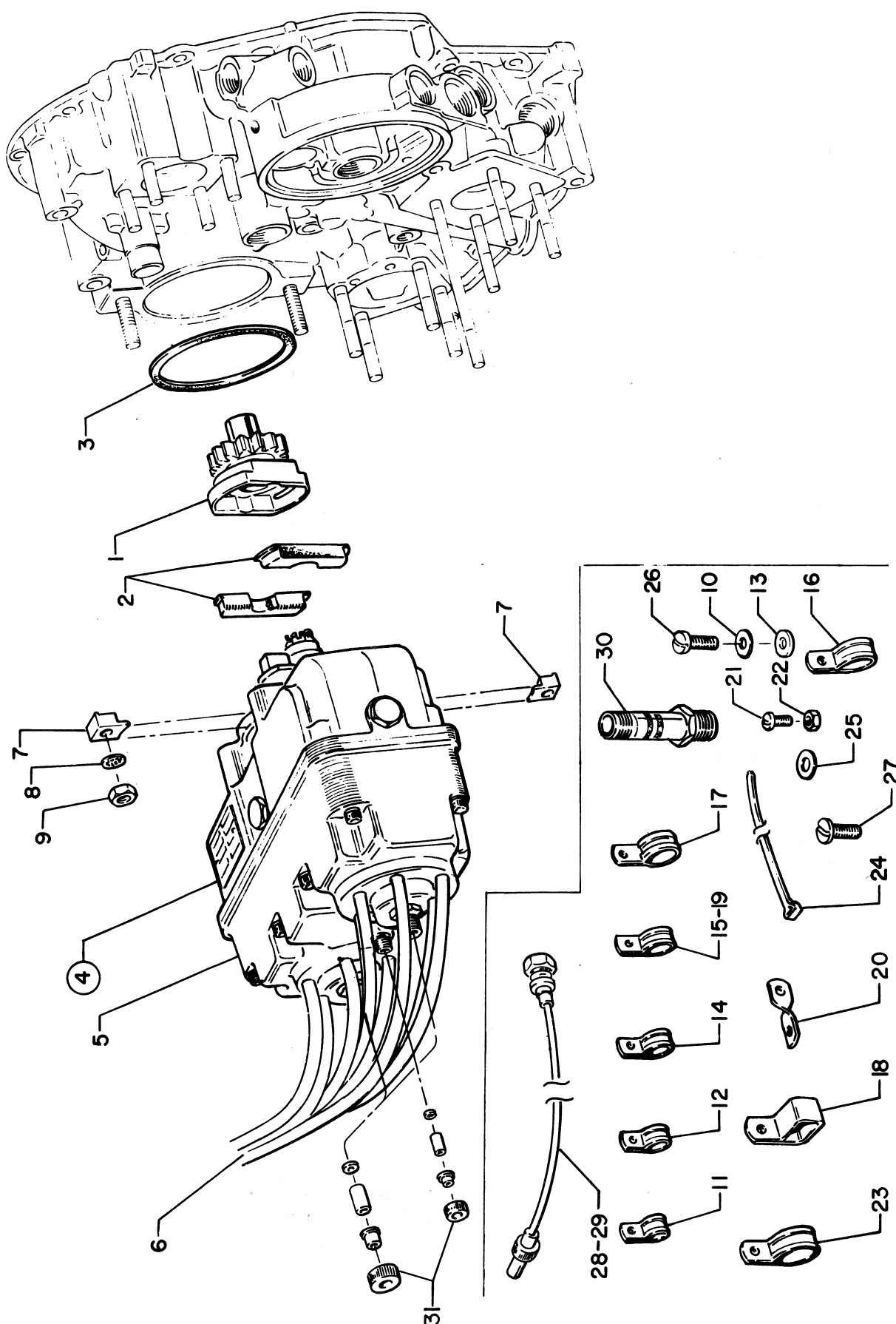


Figure 21 - Magneto Drives, Magnetos, Lead Assemblies and Spark Plugs (Dual Magnetos)

LYCOMING O-540 SERIES PARTS CATALOG

WIDE CYLINDER FLANGE CRANKCASE MODEL ENGINES

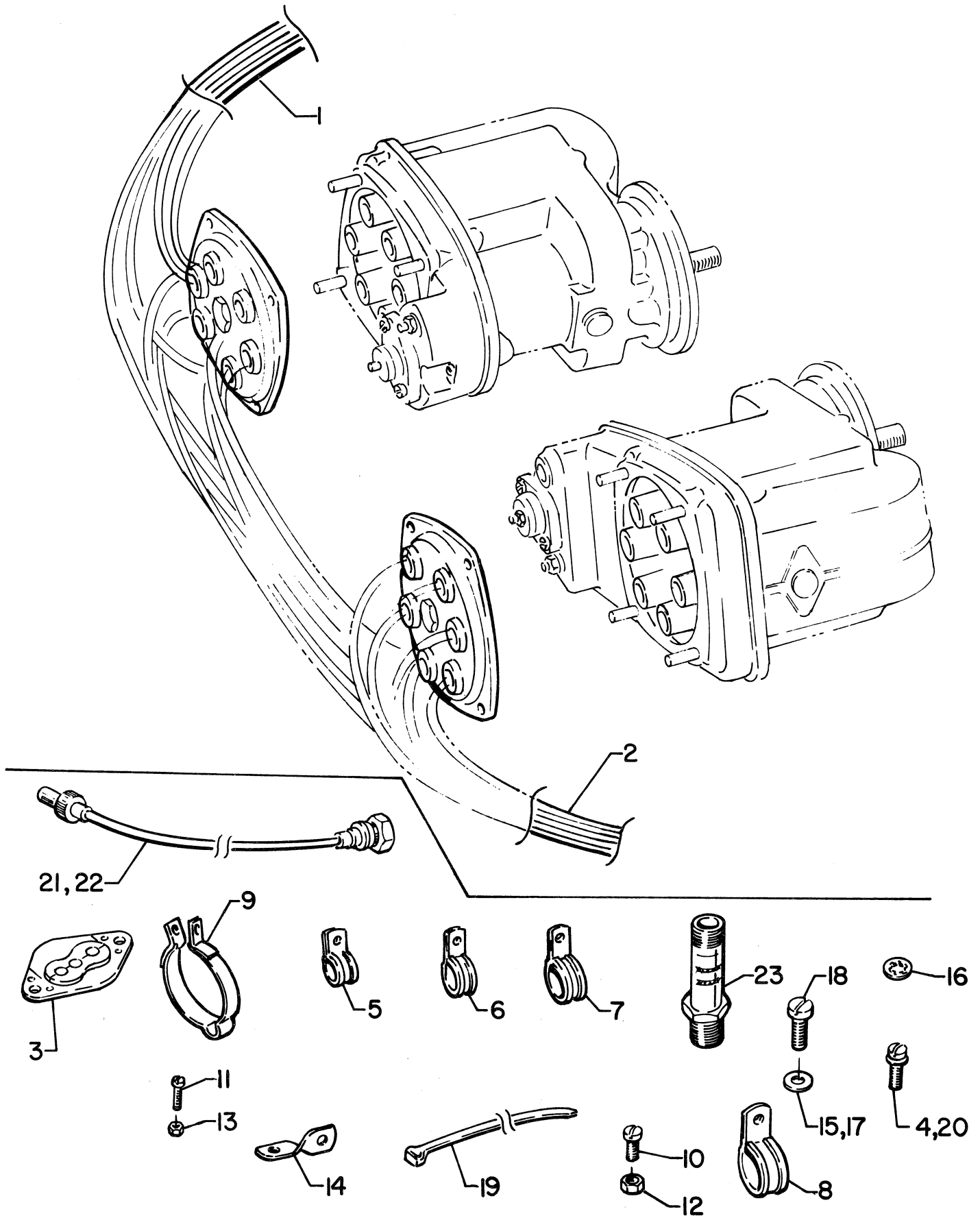


Figure 22 - Ignition Harness, Lead Assembly and Spark Plugs

LYCOMING 0-540 SERIES PARTS CATALOG

WIDE CYLINDER FLANGE CRANKCASE MODEL ENGINES

ELECTRICAL SYSTEM

ALTERNATORS

| FIG. REF. | PART NUMBER | DESCRIPTION | ON ALL | QUANTITY PER ASSEMBLY | | | | | | | | | | | | | | | |
|-----------|-------------|--|--------|-----------------------|----|----|----|----|----|----|----|----|----|----|----|----|----|----|---|
| | | | | BA | BB | BC | BD | BE | BF | BG | BH | BI | BJ | BK | BL | BM | BN | BO | |
| | | | | | | | | | | | | | | | | | | | |
| 1 | LW-14316 | ALTERNATOR, 12V. - 70 Amp. (externally grounded) (ALX-8421) | | | | | 1 | | 1 | | | | | | | | | | |
| | LW-14319 | ALTERNATOR, 24V. - 50 Amp. (externally grounded) (ALT-8421) | | | | | | | | | 1 | | | 1 | | | | | |
| | LW-14324 | ALTERNATOR, 24V. - 70 Amp. (externally grounded) (ALU-8421) | | | | | | | | | 1 | | | | | | | | |
| | LW-14315 | ALTERNATOR, 12V. - 60 Amp. (3.63:1 ratio) (ALY-6427) | | | | | | 1 | | | | | | | | | | 1 | |
| | LW-14322 | ALTERNATOR, 24V. - 50 Amp. (externally grounded) (3.63:1 ratio) | | | | | | | | | | | | | | | | | 1 |

NOTE

See the latest edition of Service Instruction No. 1154 for complete list of FAA approved starters, generators, alternators, regulators and relays.

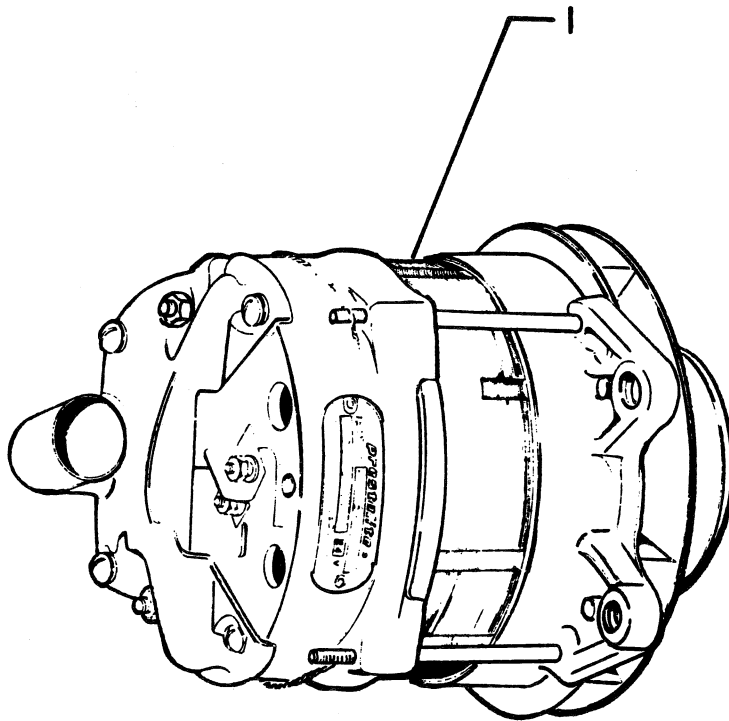


Figure 24

LYCOMING 0-540 SERIES PARTS CATALOG

WIDE CYLINDER FLANGE CRANKCASE MODEL ENGINES

ELECTRICAL SYSTEM

ALTERNATOR MOUNTING AND ATTACHING PARTS

| FIG. REF. | PART NUMBER | DESCRIPTION | ON ALL | QUANTITY PER ASSEMBLY | | | | | | | | | | | | | | | |
|-----------|-------------|---|--------|-----------------------|----|----|----|----|---|----|----|----|----|---|---|---|---|---|--|
| | | | | B | C | D | E | F | G | H | I | J | K | L | M | N | O | P | |
| 25 1 | LW-13039 | BRACKET, Alternator | | | | 1 | 1 | 1 | 1 | | 1 | 1 | 1 | 1 | | | | | |
| 2 | 73383 | LOCKPLATE, 5/16 bolt x 1.00 spacing | | | 1 | 1 | 1 | 1 | | 1 | 1 | 1 | 1 | | | | | | |
| 3 | STD-1838 | BOLT, 5/16-18 x 15/16 long, hex hd. | | | 2 | 2 | 2 | 2 | | 2 | 2 | 2 | 2 | | | | | | |
| 4 | 75380 | LINK, Alternator, adjusting | | | 1 | 1 | 1 | 1 | | 1 | 1 | 1 | 1 | | | | | | |
| 5 | STD-35 | WASHER, Plain, 5/16 in. | | | 1 | 1 | 1 | 1 | | 1 | 1 | 1 | 1 | | | | | | |
| 6 | STD-1817 | BOLT, 5/16-18 x 3/4 long, hex hd. dr. | | | 1 | 1 | 1 | 1 | | 1 | 1 | 1 | 1 | | | | | | |
| 7 | STD-1727 | WASHER, Plain, 3/4 OD x 11/32 ID x 1/8 thick | | | 1 | 1 | 1 | 1 | | 1 | 1 | 1 | 1 | | | | | | |
| 8 | STD-1817 | BOLT, 5/16-18 x 3/4 long, hex hd. dr. | | | 1 | 1 | 1 | 1 | | 1 | 1 | 1 | 1 | | | | | | |
| 9 | 74323 | STRUT, Alternator support | | | 1 | 1 | 1 | 1 | | 1 | 1 | 1 | 1 | | | | | | |
| 10 | STD-1817 | BOLT, 5/16-18 x 3/4 long, hex hd. dr. | | | 1 | 1 | 1 | 1 | | 1 | 1 | 1 | 1 | | | | | | |
| 11 | STD-690 | WASHER, 13/16 OD x 25/64 ID x 1/16 thick | | | 1 | 1 | 1 | 1 | | 1 | 1 | 1 | 1 | | | | | | |
| 12 | AN6-14 | BOLT, 3/8-24 x 1-19/32 long, hex hd., drilled end | | | 1 | 1 | 1 | 1 | | 1 | 1 | 1 | 1 | | | | | | |
| 13 | STD-690 | WASHER, 13/16 OD x 25/64 ID x 1/16 thick | | | un | un | un | un | | un | un | un | un | | | | | | |
| 14 | STD-872 | NUT, Slotted, 3/8-24 | | | 1 | 1 | 1 | 1 | | 1 | 1 | 1 | 1 | | | | | | |
| 15 | STD-713 | PIN, Cotter, 3/32 dia. x 3/4 long | | | 1 | 1 | 1 | 1 | | 1 | 1 | 1 | 1 | | | | | | |
| 16 | AN6-13 | BOLT, 3/8-24 x 1-29/64 long, hex hd., drilled end | | | 1 | | | | | 1 | | | | | | | | | |
| | AN6-16 | BOLT, 3/8-24 x 1-53/64 long, hex hd., drilled end | | | 1 | | 1 | 1 | | 1 | | 1 | 1 | | | | | | |
| 17 | 76534 | SHIM, 1-1/8 OD x 13/32 ID x .005 thick | | | un | un | un | un | | un | un | un | un | | | | | | |
| 18 | STD-690 | WASHER, 13/16 OD x 25/64 ID x 1/16 thick | | | un | un | un | un | | un | un | un | un | | | | | | |
| 19 | STD-872 | NUT, Slotted, 3/8-24 | | | 1 | 1 | 1 | 1 | | 1 | 1 | 1 | 1 | | | | | | |
| 20 | STD-713 | PIN, Cotter, 3/32 dia. x 3/4 long | | | 1 | 1 | 1 | 1 | | 1 | 1 | 1 | 1 | | | | | | |

LYCOMING 0-540 SERIES PARTS CATALOG

WIDE CYLINDER FLANGE CRANKCASE MODEL ENGINES

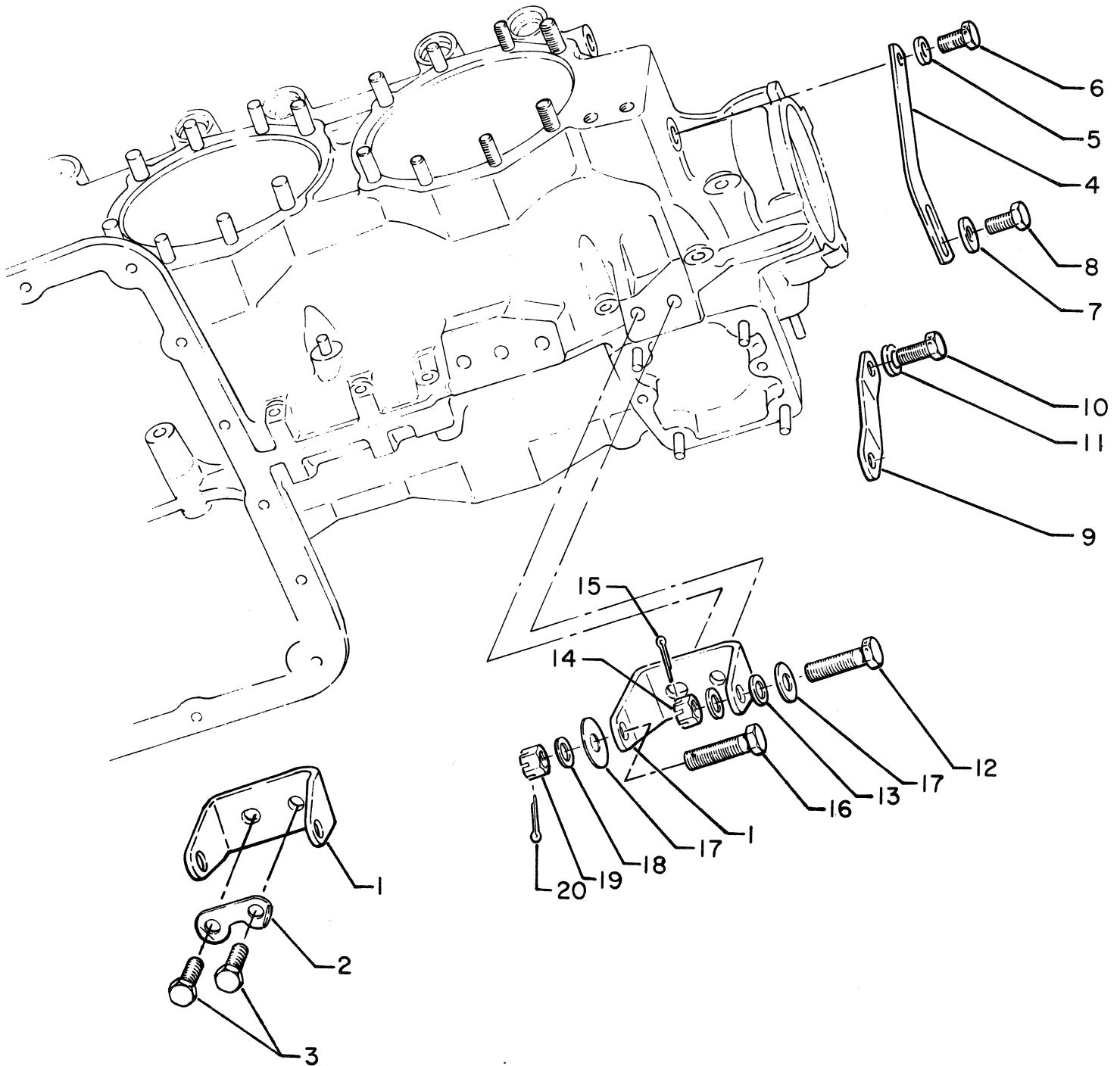


Figure 25 - Alternator Mounting and Attaching Parts

LYCOMING O-540 SERIES PARTS CATALOG

WIDE CYLINDER FLANGE CRANKCASE MODEL ENGINES

ELECTRICAL SYSTEM

STARTING MOTORS AND ATTACHING PARTS

| FIG. REF. | PART NUMBER | DESCRIPTION | ON ALL | QUANTITY PER ASSEMBLY | | | | | | | | | | | | | | | | | | | | |
|-----------|-------------|---|--------|-----------------------|------|------|------|------|------|------|------|------|------|------|--|--|--|--|--|--|--|--|--|--|
| | | | | 1500 | 1600 | 1700 | 1800 | 1900 | 2000 | 2100 | 2200 | 2300 | 2400 | 2500 | | | | | | | | | | |
| 1 | LW-15571 | STARTER, 12V., 12/14 pitch pinion, 3.38:1 internal reduction (MZ-4227) | | | | | | | 1 | 1 | 1 | | | | | | | | | | | | | |
| | LW-15572 | STARTER, 24V., 12/14 pitch pinion, 3.38:1 internal reduction (MHB-4016) | | | | | | | | | 1 | 1 | 1 | 1 | | | | | | | | | | |
| 2 | STD-35 | WASHER, Plain, 5/16 in. | 4 | | | | | | | | | | | | | | | | | | | | | |
| 3 | STD-475 | WASHER, Internal lock, 5/16 in. | 4 | | | | | | | | | | | | | | | | | | | | | |
| 4 | STD-2156 | BOLT, Hex hd., 5/16-18 x 1-5/32 long | 1 | | | | | | | | | | | | | | | | | | | | | |
| 5 | STD-1410 | NUT, Plain, 5/16-18 | 3 | | | | | | | | | | | | | | | | | | | | | |
| 6 | LW-12083 | SWITCH, Magnetic, 12V. (SAZ-4201E-1) | | | | | | | 1 | 1 | | | | | | | | | | | | | | |
| | LW-12085 | SWITCH, Magnetic, 24V. (SAZ-4401C) | | | | | | | | | 1 | 1 | 1 | 1 | | | | | | | | | | |

NOTE

See the latest edition of Service Instruction No. 1154 for complete list of FAA approved starters, generators, alternators, regulators and relays.

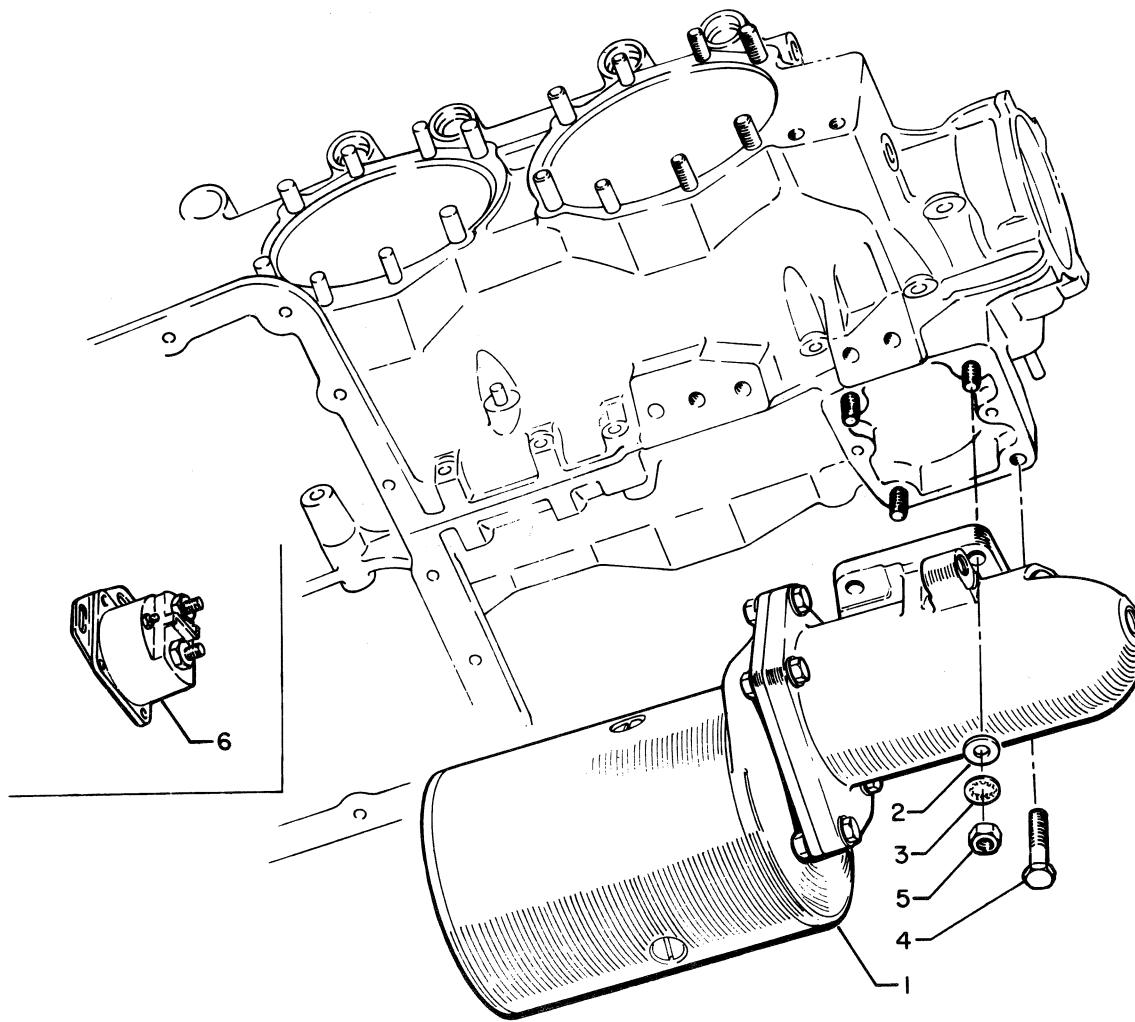


Figure 26
5-5

INTENTIONALLY

LEFT

BLANK

LYCOMING 0-540 SERIES PARTS CATALOG

WIDE CYLINDER FLANGE CRANKCASE MODEL ENGINES

OIL SUMP AND INDUCTION SYSTEM

OIL SUMP ASSEMBLY AND ATTACHING PARTS

| FIG. REF. | PART NUMBER | DESCRIPTION | ON ALL | QUANTITY PER ASSEMBLY | | | | | | | | | | | | | | | | |
|-----------|-------------|--|--------|-----------------------|---|---|---|---|---|---|---|---|---|---|---|---|---|---|---|--|
| | | | | B | D | E | F | G | H | I | J | K | L | M | N | O | P | Q | R | |
| 27 | | | | | | | | | | | | | | | | | | | | |
| 1 | LW-13306 | GASKET, Oil sump | 1 | | | | | | | | | | | | | | | | | |
| 2 | 72056 | SUMP ASSEMBLY | 1 | | | | | | | | | | | | | | | | | |
| 3 | 71699 | CONNECTION, Intake pipe | 6 | | | | | | | | | | | | | | | | | |
| 4 | 25C-11 | STUD, 1/4-20 x 1-3/8 long | 14 | | | | | | | | | | | | | | | | | |
| 5 | 31C-15 | STUD, 5/16-18 x 1-7/8 long | 4 | | | | | | | | | | | | | | | | | |
| 6 | 38-15 | STUD, 3/8-16 x 1-7/8 long | 8 | | | | | | | | | | | | | | | | | |
| 7 | STD-1173 | INSERT, 1/4-20 Heli-coil x 1/2 long | 4 | | | | | | | | | | | | | | | | | |
| 8 | STD-8 | WASHER, Plain, 1/4 in. | 34 | | | | | | | | | | | | | | | | | |
| 9 | STD-160 | WASHER, Internal lock, 1/4 in. | 27 | | | | | | | | | | | | | | | | | |
| 10 | STD-1419 | BOLT, 1/4-20 x 1-1/8 long, hex hd. | 7 | | | | | | | | | | | | | | | | | |
| 11 | STD-1688 | BOLT, 1/4-20 x 1.00 long, hex hd. | 6 | | | | | | | | | | | | | | | | | |
| 12 | STD-1411 | NUT, Plain, 1/4-20 | 21 | | | | | | | | | | | | | | | | | |
| 13 | STD-551 | PLUG, 1/2-14 NPT, Sq. hd., drilled | | | | | | | | 2 | 2 | 2 | 2 | 2 | 2 | 2 | | | | |
| | AN932-5 | PLUG, 1/2-14 NPT, Allen hd. | | | | | | | | 2 | | | | | | | | | | |
| 14 | 61548 | NAMEPLATE | 1 | | | | | | | | | | | | | | | | | |
| 15 | STD-1901 | DRIVE STUD, No. 4 x 3/16 long, rd. hd. | 4 | | | | | | | | | | | | | | | | | |

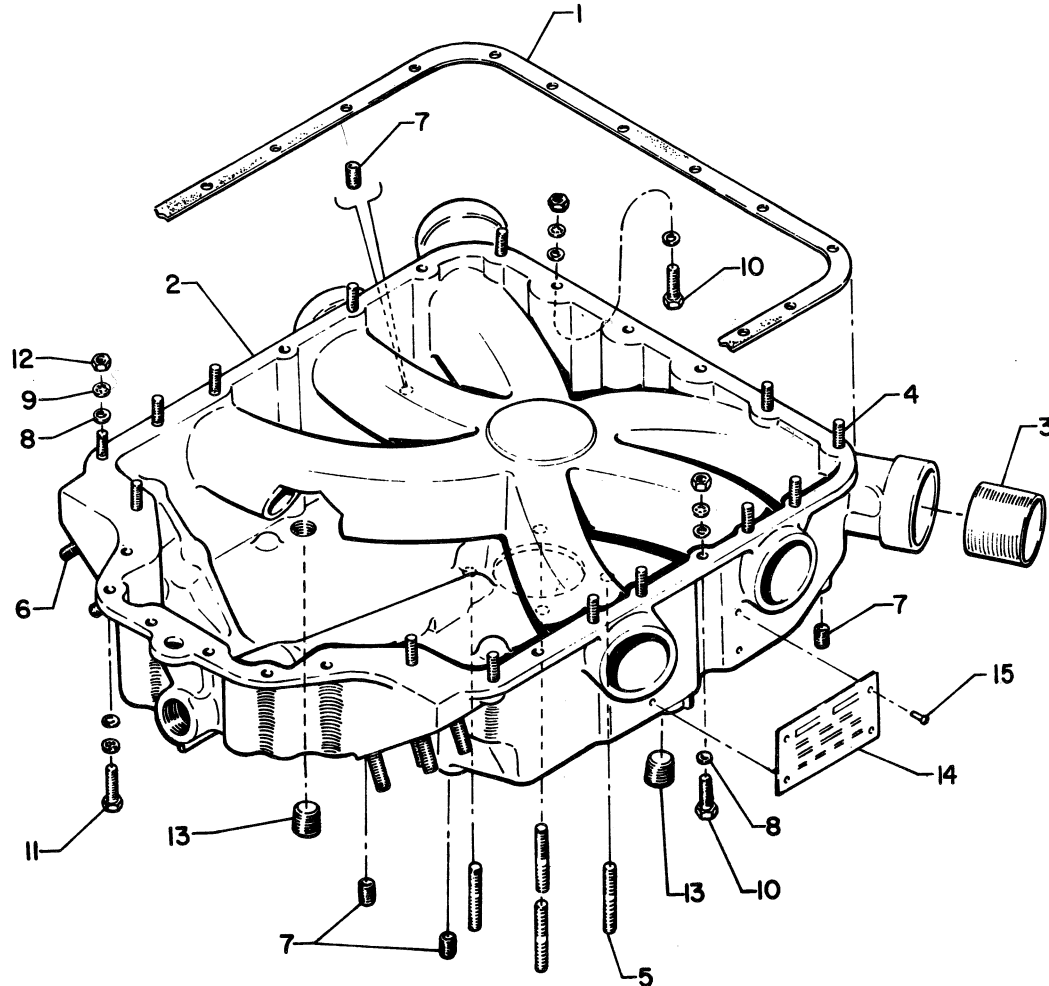


Figure 27

LYCOMING O-540 SERIES PARTS CATALOG

WIDE CYLINDER FLANGE CRANKCASE MODEL ENGINES

OIL SUMP AND INDUCTION SYSTEM

OIL SUCTION SCREEN

| FIG. REF. | PART NUMBER | DESCRIPTION | ON ALL | QUANTITY PER ASSEMBLY | | | | | | | | | | | | | | | | |
|-----------|-------------|--|--------|---|--|----|----|----|----|----|----|----|----|--|--|--|--|--|--|--|
| | | | | B C D E F G H I J K L | M N O P Q R S T U V W X Y Z | AA | AB | AC | AD | AE | AF | AG | AH | | | | | | | |
| 28 | | | | | | | | | | | | | | | | | | | | |
| 1 | 70484 | SCREEN, Oil suction | 1 | | | | | | | | | | | | | | | | | |
| 2 | STD-111 | GASKET, 1.00 ID x 1-1/4 OD x 3/32 annular | 1 | | | | | | | | | | | | | | | | | |
| 3 | LW-12545 | PLUG, 5/8 hex hd. x 1.00-20 thd. | 1 | | | | | | | | | | | | | | | | | |

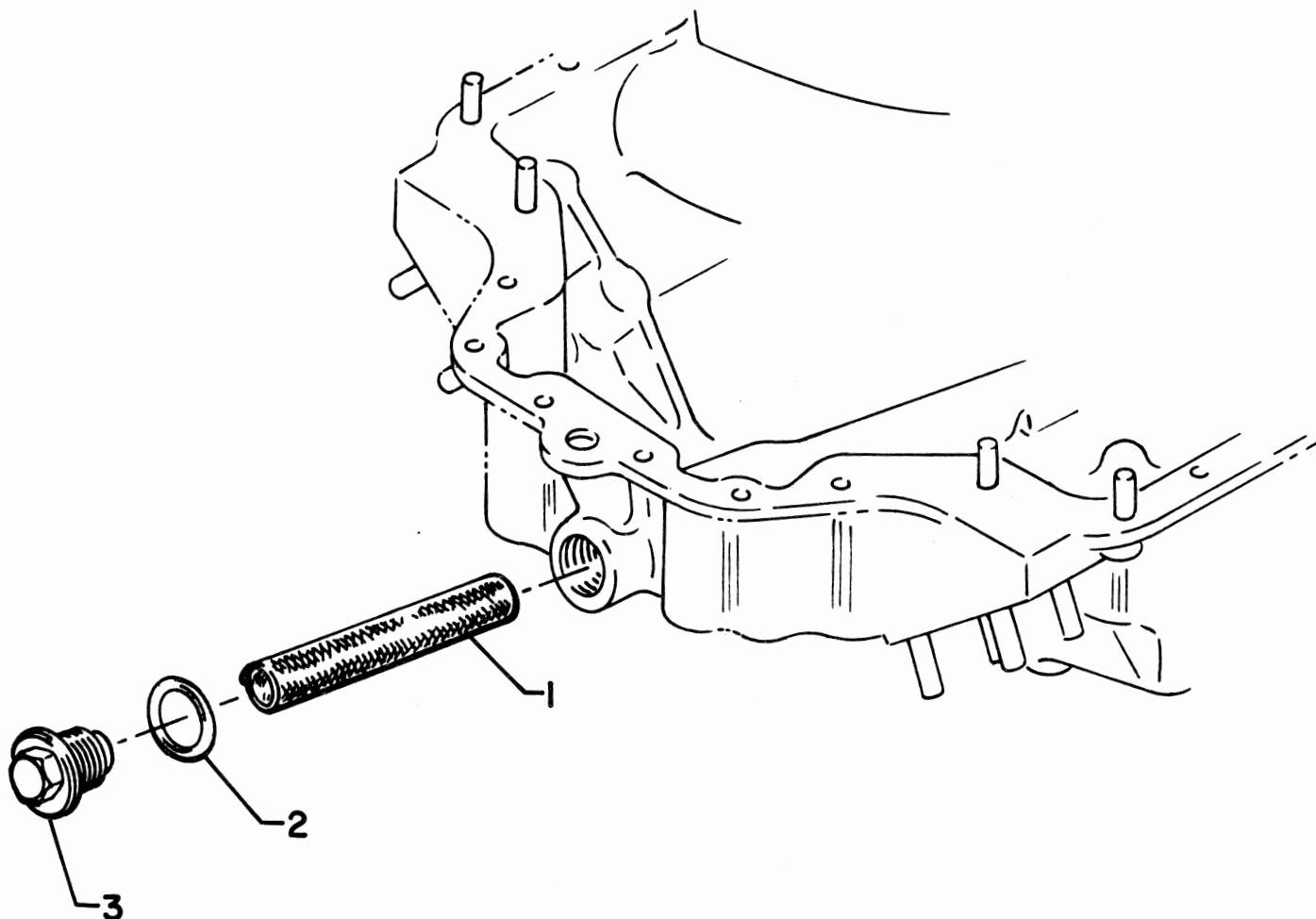


Figure 28
6-2

LYCOMING O-540 SERIES PARTS CATALOG

WIDE CYLINDER FLANGE CRANKCASE MODEL ENGINES

OIL SUMP AND INDUCTION SYSTEM

INTAKE PIPE AND ATTACHING PARTS

| FIG. REF. | PART NUMBER | DESCRIPTION | ON ALL | QUANTITY PER ASSEMBLY | | | | | | | | | | | | | | | | | |
|-----------|---------------|---|--------|-----------------------|-----|-----|-----|-----|-----|-----|-----|-----|-----|-----|-----|--|--|--|--|--|--|
| | | | | B2C | B3C | B4C | E4A | E4B | E4C | D4A | D4B | D4C | D4D | D4E | D4F | | | | | | |
| 29 | | | | | | | | | | | | | | | | | | | | | |
| 1 | 70485 | PIPE, Intake | 6 | | | | | | | | | | | | | | | | | | |
| 2 | 89603 | HOSE, 1-3/4 ID x 2-3/16 OD x 1-3/4 long | 6 | | | | | | | | | | | | | | | | | | |
| 3 | LW-15592-8-28 | CLAMP, Hose | 12 | | | | | | | | | | | | | | | | | | |
| 4 | 71973 | GASKET, 2 bolt flange, 1-7/8 ID | 6 | | | | | | | | | | | | | | | | | | |
| 5 | 73346 | FLANGE, Intake pipe, upper | 6 | | | | | | | | | | | | | | | | | | |
| 6 | STD-8 | WASHER, Plain, 1/4 in. | 12 | | | | | | | | | | | | | | | | | | |
| 7 | STD-160 | WASHER, Internal lock, 1/4 in. | 12 | | | | | | | | | | | | | | | | | | |
| 8 | STD-1215 | BOLT, 1/4-20 x 1-1/4 long, hex hd. | 12 | | | | | | | | | | | | | | | | | | |

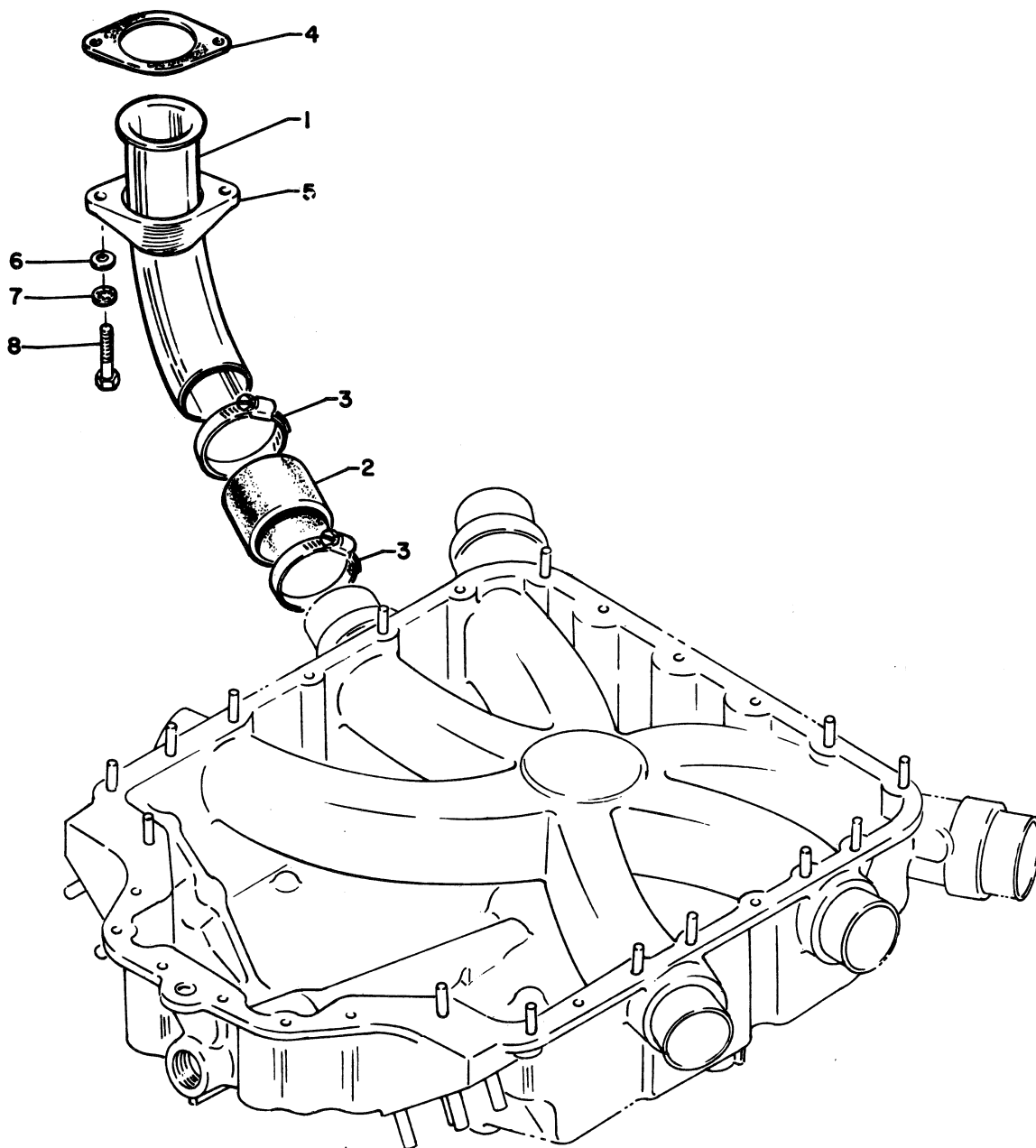


Figure 29

LYCOMING 0-540 SERIES PARTS CATALOG

WIDE CYLINDER FLANGE CRANKCASE MODEL ENGINES

OIL SUMP AND INDUCTION SYSTEM

CARBURETORS AND RELATED PARTS

| FIG. REF. | PART NUMBER | DESCRIPTION | ON ALL | QUANTITY PER ASSEMBLY | | | | | | | | | | | | | | | | |
|-----------|-------------|---------------------------|--------|-----------------------|------|------|------|------|------|------|------|------|------|------|------|------|---|--|--|--|
| | | | | D10 | D10C | D10D | D10E | D10F | D10G | D10H | D10I | D10J | D10K | D10L | D10M | D10N | | | | |
| 30 | | | | | | | | | | | | | | | | | | | | |
| 1 | 66224 | GASKET, Carburetor | 1 | | | | | | | | | | | | | | | | | |
| 2 | 72740 | CARBURETOR, (10-4404) | | | | | | | | | 1 | | | 1 | | | | | | |
| | 74121 | CARBURETOR, (10-4404-1) | | | | | 1 | | | | | | | | 1 | | 1 | | | |
| | LW-10540 | CARBURETOR, (10-5054) | | | | 1 | | 1 | | 1 | | | | | | | | | | |
| 3 | STD-35 | WASHER, Plain, 5/16 in. | 4 | | | | | | | | | | | | | | | | | |
| 4 | STD-1410 | NUT, Plain, 5/16-18 | 4 | | | | | | | | | | | | | | | | | |
| 5 | STD-1763 | LOCKNUT, Palnut, 5/16 in. | 4 | | | | | | | | | | | | | | | | | |

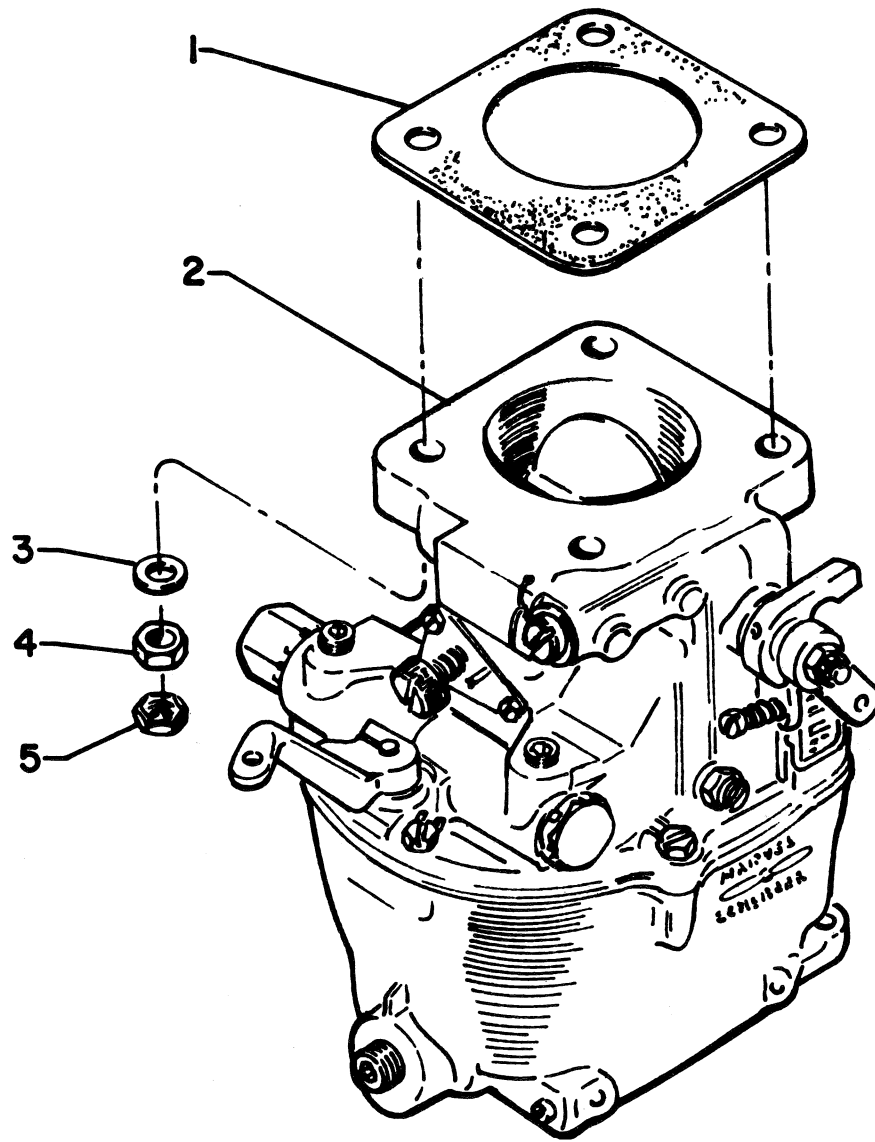


Figure 30

LYCOMING 0-540 SERIES PARTS CATALOG

WIDE CYLINDER FLANGE CRANKCASE MODEL ENGINES

OIL SUMP AND INDUCTION SYSTEM

PRIMING SYSTEM

| FIG. REF. | PART NUMBER | DESCRIPTION | ON ALL | QUANTITY PER ASSEMBLY | | | | | | | | | | | | | | | | | | |
|-----------|----------------|--|--------|-----------------------|---|---|---|---|---|---|---|---|---|---|---|--|--|--|--|--|--|---|
| | | | | B | C | D | E | F | G | H | I | J | K | L | M | | | | | | | |
| 31 | | | | | | | | | | | | | | | | | | | | | | |
| 1 | LW-12098-1-153 | TUBE ASSY., Primer, cyl.no.3 | | | | | | | | | | | | | | | | | | | | 1 |
| 2 | LW-12098-1-183 | TUBE ASSY., Primer, cyl.no.4 | | | | | | | | | | | | | | | | | | | | 1 |
| 3 | LW-12098-1-116 | TUBE ASSY., Primer, cyls.no. 5 and 6 | | | | | | | | | | | | | | | | | | | | 2 |
| 4 | LW-12098-0-100 | TUBE ASSY., Primer, inter., right | | | | | | | | | | | | | | | | | | | | 1 |
| 5 | LW-12098-0-116 | TUBE ASSY., Primer, inter., left | | | | | | | | | | | | | | | | | | | | 1 |
| 6 | LW-12293 | CLIP, Primer line | | | | | | | | | | | | | | | | | | | | 4 |
| 7 | 71910 | CLAMP, Primer line | | | | | | | | | | | | | | | | | | | | 4 |
| 8 | STD-553 | SCREW, No. 6-32 x 1/2 long, rd. hd. | | | | | | | | | | | | | | | | | | | | 4 |
| 9 | AN365-632A | NUT, No. 6-32 self-locking | | | | | | | | | | | | | | | | | | | | 4 |
| 10 | STD-853 | TEE, Union, 1/4 tube | | | | | | | | | | | | | | | | | | | | 3 |
| 11 | 74225 | NIPPLE ASSY., Primer | | | | | | | | | | | | | | | | | | | | 4 |
| 12 | 1102 | PLUG, Allen, 1/4-27 (assemble in no. 1 and 2 cyl. hds.) | | | | | | | | | | | | | | | | | | | | 2 |

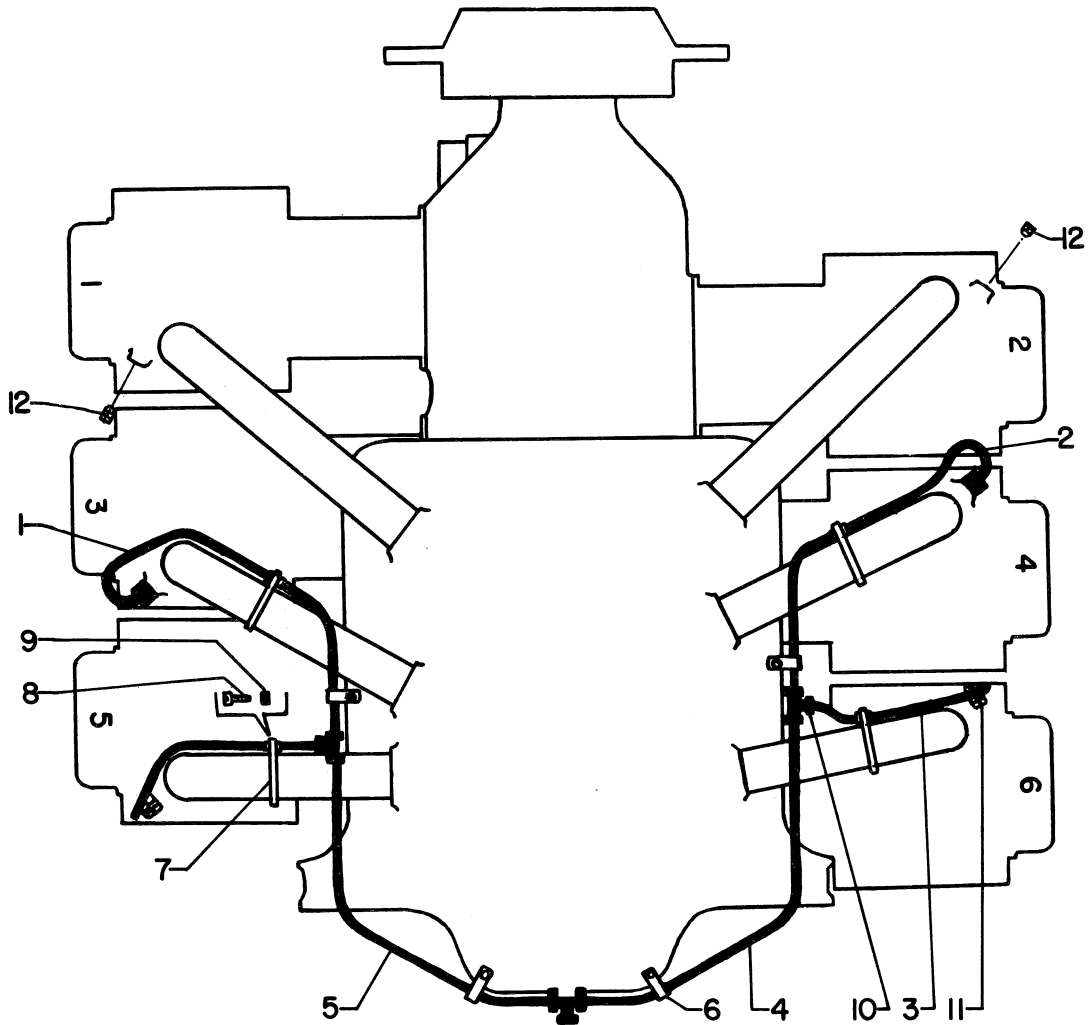


Figure 31

LYCOMING 0-540 SERIES PARTS CATALOG

WIDE CYLINDER FLANGE CRANKCASE MODEL ENGINES

SERVICE KIT SECTION

SEAL AND GASKET SET
0-540-B, -E, -G, -H SERIES

| PART NUMBER | DESCRIPTION | QTY. PER ENG. |
|--------------|---------------------------------|---------------|
| 71569-1 | SEAL AND GASKET SET | 1 |
| STD-111 | GASKET | 1 |
| STD-208 | SEAL, Oil | 2 |
| STD-213 | SEAL, Oil | 1 |
| STD-294 | GASKET, Annular | 2 |
| STD-1045 | GASKET, Annular | 1 |
| 1691-C | GASKET, Fuel pump | 1 |
| 8313 | GASKET, Vacuum pump | 2 |
| 60096 | GASKET, Fuel pump | 1 |
| LW-14260 | SEAL, Tach. drive oil | 1 |
| 61173 | GASKET, Oil press. hsg. | 1 |
| 61183 | GASKET, Accy. adapter | 1 |
| 62224 | GASKET, Mag. adapter | 4 |
| 62922 | SEAL, Shroud tube | 12 |
| 66224 | GASKET, Carburetor | 1 |
| 67516 | LOCKPLATE, Crankshaft gear | 1 |
| 68315 | GASKET, Accy. drive adapter | 1 |
| LW-12272 | LOCKPLATE, Shroud tube | 6 |
| 69164 | GASKET, Fuel pump adapter | 1 |
| 69551 | GASKET, Accy. dr. adapter | 1 |
| 70310 | SEAL, Shroud tube | 12 |
| 70455 | GASKET | 1 |
| 70457 | GASKET | 1 |
| 71193 | BOX, Set-up | 1 |
| 71481 | RING, Oil seal | 6 |
| 71667 | LOCKPLATE, Fuel pump idler gear | 1 |
| 71973 | GASKET, 2 bolt flange | 6 |
| 72053 | GASKET, Governor | 1 |
| 72059 | GASKET | 1 |
| 72075 | RING, Oil seal | 8 |
| 72078 | LOCKPLATE, Cam gear | 2 |
| 72091 | RING, Oil seal | 2 |
| 72210 | GASKET | 1 |
| 72220 | GASKET, Oil level gage | 1 |
| 72312 | RING, Oil seal | 1 |
| LW-13306 | GASKET, Oil sump | 1 |
| 73383 | LOCKPLATE, Generator bracket | 2 |
| 73818 | GASKET, Accy. hsg. | 1 |
| 74305 | SEAL | 1 |
| 75906 | GASKET, Rocker box cover | 6 |
| 76510 | GASKET | 1 |
| LW-12795 | GASKET | 1 |
| 76940 | SEAL, Crankshaft oil | 1 |
| LW-12681 | GASKET | 2 |
| LW-15628 | SEAL, Crankshaft | 1 |
| LW-13792 | SEAL, Crankshaft oil | 1 |
| 69345 | SPACER | 6 |
| LW-14995 | SPRING | 6 |
| MS16625-1081 | RING, Internal retaining | 1 |
| 65321 | GASKET | 6 |

LYCOMING 0-540 SERIES PARTS CATALOG

WIDE CYLINDER FLANGE CRANKCASE MODEL ENGINES

SERVICE KIT SECTION

SEAL AND GASKET SET
0-540-B, -E, -G, -H SERIES

| PART NUMBER | DESCRIPTION | QTY. PER ENG. |
|----------------|-----------------------------------|---------------------|
| LW-13378 | SEAL AND GASKET SET | 1 |
| AN123857 | GASKET, Hydraulic pump | 1 |
| MS29512-10 | SEAL, Oil | 1 |
| MS16625-1081 | RING, Internal retaining | 1 |
| STD-111 | GASKET, Oil suction screen | 1 |
| STD-208 | SEAL, Oil | 1 |
| STD-1045 | GASKET, Oil press. relief valve | 1 |
| 8313 | GASKET, Vacuum and hydraulic pump | 2 |
| 20415 | GASKET, Hydraulic pump | 1 |
| 60096 | GASKET, Fuel pump | 1 |
| LW-14260 | SEAL, Tach. drive | 1 |
| 62922 | SEAL, Shroud tube | 12 |
| 65321 | GASKET, Exhaust flange | 6 |
| 66224 | GASKET, Carburetor | 1 |
| 70310 | SEAL, Shroud tube | 12 |
| 70455 | GASKET, Prop. dr. gear plug | 1 |
| 70457 | GASKET, Oil filler ext. | 1 |
| 71481 | RING, Cyl. base seal | 6 |
| LW-14820 | RING, Internal retaining | 8 |
| 71973 | GASKET, Intake pipe flange | 6 |
| 72053 | GASKET, Governor | 1 |
| 72059 | GASKET, Oil level gage | 1 |
| 72091 | RING, Oil seal | 2 |
| 72220 | GASKET, Oil level gage | 1 |
| 72312 | RING, Oil level gage | 1 |
| 73383 | LOCKPLATE | 1 |
| 73818 | GASKET, Accy. hsg. | 1 |
| 75906 | GASKET, Rocker box cover | 6 |
| LW-15628 | SEAL, Crankshaft oil | 1 |
| LW-10332 | LOCKPLATE, Crankshaft gear | 1 |
| LW-13792 | SEAL, Crankshaft | 1 |
| LW-12272 | LOCKPLATE, Shroud tube | 6 |
| LW-14995 | SPRING, Shroud tube | 6 |
| LW-12681 | GASKET, Magneto | 1 |
| LW-13306 | GASKET, Oil sump | 1 |
| 71193 | BOX | 1 |

LYCOMING 0-540 SERIES PARTS CATALOG

WIDE CYLINDER FLANGE CRANKCASE MODEL ENGINES SERVICE KIT SECTION

CYLINDER, PISTON AND RING ASSY.
0-540-B SERIES
(NITRIDED CYLINDER, HALF-WEDGE RINGS)

| PART NUMBER | DESCRIPTION | QTY. PER ENG. |
|-------------------|---------------------------------|---------------|
| LW-12742 | CYLINDER, PISTON AND RING ASSY. | |
| MS13997-3 | KEY, Valve | 2 |
| MS13998-3 | CAP, Valve stem | 1 |
| STD-1215 | BOLT | 2 |
| STD-1411 | NUT, Plain, 1/4-20 | 1 |
| STD-1925 | SCREW | 6 |
| 60009 | KEY, Valve | 2 |
| LW-13790 | SHAFT, Valve rocker | 1 |
| 60828 | PLUG, Piston pin | 2 |
| 61247 | COVER, Rocker box | 1 |
| 62922 | SEAL, Shroud tube | 2 |
| 65441 | SEAT, Valve spring, lower | 1 |
| LW-14995 | SPRING, Shroud tube | 2 |
| LW-12272 | LOCKPLATE, Shroud tube | 1 |
| 69444 | ROCKER ASSY., Valve, intake | 1 |
| LW-14077 | PIN, Piston | 1 |
| 70310 | SEAL, Shroud tube | 2 |
| 71195 | BOX, Set-up | 1 |
| 71481 | SEAL, Cylinder base | 1 |
| 73857 or LW-12328 | RING, Piston, oil reg. | 1 |
| 73938 | VALVE, Intake | 1 |
| 74241 | RING, Piston, top comp. | 2 |
| LW-13323 | SEAT, Valve sp. lower exhaust | 1 |
| 74636 | ROCKER ASSY., Exhaust | 1 |
| 74541 | VALVE, Exhaust | 1 |
| 75413 | PISTON, 3 ring | 1 |
| LW-12427 | CYLINDER ASSY., Nitrided | 1 |
| 75906 | GASKET, Rocker box cover | 1 |
| LW-10076 | SEAT, Valve spring | 1 |
| LW-10077 | SEAT, Valve spring | 1 |
| LW-11795 | SPRING, Valve, auxiliary | 2 |
| LW-11800 | SPRING, Valve, outer | 2 |
| LW-11775 | PLUG, Piston pin | 2 |
| SSP2272 | TAG | 1 |
| SSP2472 | TAG | 1 |
| LW-12892 | THRUST BUTTON | 2 |

LYCOMING O-540 SERIES PARTS CATALOG

WIDE CYLINDER FLANGE CRANKCASE MODEL ENGINES

SERVICE KIT SECTION

CYLINDER, PISTON AND RING ASSY.
 0-540-E, -G, -H SERIES
 (NITRIDED CYLINDER, CHROME PLATED RINGS)

| PART NUMBER | DESCRIPTION | QTY. PER ENG. |
|-------------|---|---------------|
| 76292 | CYLINDER, PISTON AND RING ASSY. | |
| STD-1411 | NUT, Plain, 1/4-20 | 1 |
| STD-1925 | SCREW | 6 |
| 60009 | KEY, Valve intake | 2 |
| 62922 | SEAL, Shroud tube | 2 |
| LW-13790 | SHAFT, Valve rocker | 1 |
| 60828 | PLUG, Piston pin | 2 |
| 75906 | GASKET, Rocker box cover | 1 |
| 61247 | COVER, Rocker box | 1 |
| MS13998-3 | CAP, Valve stem, exhaust (rotator type) | 1 |
| LW-11800 | SPRING, Valve, outer | 2 |
| 65441 | SEAT, Valve spring, lower (intake) | 1 |
| LW-11795 | SPRING, Valve, inner | 2 |
| LW-10077 | SEAT, Valve spring, upper, intake | 1 |
| LW-14995 | SPRING, Shroud tube | 1 |
| LW-12272 | LOCKPLATE, Shroud tube | 1 |
| 69444 | ROCKER ASSY., Valve, intake | 1 |
| LW-10076 | SEAT, Valve spring, upper, exhaust (rotator type) | 1 |
| LW-14077 | PIN, Piston | 1 |
| 70310 | SEAL, Shroud tube | 2 |
| 71195 | BOX, Set-up | 1 |
| 71481 | SEAL, Cylinder base | 1 |
| 71541 | VALVE, Exhaust (rotator type) sodium cooled chrome stem | 1 |
| MS13997-3 | KEY, Valve, exhaust (rotator type) | 2 |
| LW-12328 | RING, Piston, oil reg. (ch.) (expander type) | 1 |
| 73938 | VALVE, Intake | 1 |
| 74241 | RING, Piston, compression (ch.) | 2 |
| LW-12427 | CYLINDER AND HEAD ASSY. (Nitrided cyls., straight valve head) | 1 |
| 75089 | PISTON | 1 |
| 74636 | ROCKER ASSY., Exhaust | 1 |
| LW-13323 | SEAT, Valve sp. lower, exhaust | 1 |
| LW-12892 | THRUST BUTTON | 2 |
| STD-1215 | BOLT | 2 |
| 72198 | PLUG | 2 |
| SSP672 | TAG | 1 |
| LW-11775 | PLUG, Piston pin (alum.) | 2 |
| SSP2472 | TAG | 1 |

LYCOMING O-540 SERIES PARTS CATALOG

WIDE CYLINDER FLANGE CRANKCASE MODEL ENGINES

SECTION 8 PARTS SUPERSEDURES

| Part No. | Superseded by | Name | Remarks |
|---------------------|---------------|------------------------|---|
| SECTION 1 | | | |
| Reference Page 1-1 | | | |
| LW-13799 | LW-13831 | Crankcase Assy. | Due to increased flange thickness at bottom parting line. |
| Reference Page 1-3. | | | |
| 72986 | 75761 | Extension | To incorporate reinforced nylon oil filler tube. |
| 72051 | 75737 | Extension | To incorporate reinforced nylon oil filler tube. |
| 75759 | 77527 | Extension | Product improvement. |
| 74313 | 75759 | Extension | To incorporate reinforced nylon oil filler tube. |
| 45187 | 72220 | Gasket | Product improvement. |
| 72984 | 73120 | Gage Assy. | Product improvement. |
| 72043 | LW-14756 | Gage Assy. | Parts standardization. |
| 77722 | LW-14734 | Gage Assy. | Parts standardization. |
| 71047 | 70456 | Bracket | Product improvement. |
| Reference Page 1-4. | | | |
| 71714 | 76529 | Plug, Oil relief valve | Product improvement. |
| LW-10124 | LW-11021 | Bearing, Crankshaft | Product improvement. |
| 73049 | LW-10124 | Bearing, Crankshaft | Product improvement. |
| 72415 | 73049 | Bearing, Crankshaft | Product improvement. |
| 74303 | LW-11575 | Bearing, Crankshaft | To incorporate straight main bearing dowels. |
| 77044 | LW-13884 | Bearing, Crankshaft | Product improvement. |
| 75210 | 77044 | Bearing, Crankshaft | Product improvement. |
| 71637 | 75210 | Bearing, Crankshaft | Product improvement. |
| 78319 | LW-13885 | Bearing, Crankshaft | Product improvement. |
| 74304 | 78319 | Bearing, Crankshaft | Product improvement. |
| LW-12077 | LW-13792 | Seal | To incorporate seal having glue retention grooves. |

LYCOMING O-540 SERIES PARTS CATALOG

WIDE CYLINDER FLANGE CRANKCASE MODEL ENGINES

PARTS SUPERSEDURES (CONT.)

SECTION 1 (CONT.)

| Part No. | Superseded by | Name | Remarks |
|---------------------|---------------|-------------------------------------|---|
| 69529 | 72877 | Body, Hydraulic Tappet | Product improvement. |
| Reference Page 1-5. | | | |
| 74582 | 75073 | Crankshaft & Counterweight Assembly | To incorporate crankshaft & counterweight assy. without lightening holes. |
| 72727 | 74582 | Crankshaft & Counterweight Assembly | Product improvement. |
| 72024 | 72727 | Crankshaft & Counterweight Assembly | Product improvement. |
| 74953 | 75040 | Crankshaft & Counterweight Assembly | Product improvement. |
| 74581 | 75039 | Crankshaft Assembly | To incorporate crankshaft assy. without lightening holes. |
| 72728 | 74581 | Crankshaft Assembly | Product improvement. |
| 70459 | 72728 | Crankshaft Assembly | Product improvement. |
| 70256 | 73810 | Bushing | Product improvement. |
| 71906 | LW-14820 | Ring | To incorporate reinforced retaining rings. |
| Reference Page 1-7. | | | |
| 71328 | 72565 | Support Assembly | To provide 23 ^o timing. |
| Reference Page 1-8. | | | |
| 71643 | 76155 | Shaft Assy. | Product improvement. |
| 75709 | 78368 | Pin | Product improvement. |
| LW-10575 | LW-13795 | Shaft | Product improvement. |
| 73014 | LW-10575 | Shaft | Product improvement. |
| 70390 | 73014 | Shaft | Product improvement. |
| Reference Page 1-9. | | | |
| 70395 | 73249 | Washer, Thrust | Product improvement. |
| 70394 | 73250 | Washer, Thrust | Product improvement. |
| 70393 | 73251 | Washer, Thrust | Product improvement. |

LYCOMING O-540 SERIES PARTS CATALOG

WIDE CYLINDER FLANGE CRANKCASE MODEL ENGINES

PARTS SUPERSEDURES (CONT.)

SECTION 1 (CONT.)

| Part No. | Superseded by | Name | Remarks |
|----------|---------------|--------|--|
| 70454 | LW-13896 | Plug | To incorporate shorter hex head. |
| 179-B | 72053 | Gasket | To use (1) common gasket instead of (2). |
| 180-G | 72378 | Cover | Product improvement. |

Reference Page 1-10.

There are no supersedures on Page 1-10.

SECTION 2

Reference Page 2-1.

| | | | |
|-------|-------|------------------|----------------------|
| 61352 | 73818 | Gasket | Product improvement. |
| 75367 | 76152 | Housing Assembly | Product improvement. |
| 71648 | 75367 | Housing Assembly | Product improvement. |
| 71650 | 76156 | Shield | Product improvement. |

Reference Page 2-2.

| | | | |
|-------|-------|---------------|---|
| 76354 | 78528 | Body Assembly | To incorporate centered oil pump impellers. |
| 67512 | 74641 | Shaft | To incorporate Sintered oil pump impellers. |

Reference Page 2-3.

| | | | |
|-------|-------|-----------|----------------------|
| 75148 | 75246 | Fuel Pump | Product improvement. |
| 74798 | 75148 | Fuel Pump | Product improvement. |
| 74082 | 74798 | Fuel Pump | Product improvement. |
| 74060 | 74082 | Fuel Pump | Product improvement. |

Reference Page 2-4.

| | | | |
|-------|-------|------------|----------------------|
| 67537 | 72974 | Gear Assy. | Product improvement. |
|-------|-------|------------|----------------------|

Reference Page 2-5.

| | | | |
|-------|-------|------------|----------------------|
| 71673 | 72964 | Gear Assy. | Product improvement. |
|-------|-------|------------|----------------------|

Reference Page 2-7.

| | | | |
|-------|----------|----------------|----------------------|
| 69451 | 75944 | Valve Assembly | Product improvement. |
| 76691 | LW-12795 | Gasket | Product improvement. |

LYCOMING O-540 SERIES PARTS CATALOG

WIDE CYLINDER FLANGE CRANKCASE MODEL ENGINES

PARTS SUPERSEDURES (CONT.)

SECTION 2 (CONT.)

| Part No. | Superseded by | Name | Remarks |
|----------|---------------|--------|----------------------|
| 74904 | 76691 | Gasket | Product improvement. |

SECTION 3

Reference Page 3-1.

| | | | |
|----------|----------|-------------------------|---|
| LW-11457 | LW-11750 | Connecting Rod Assembly | Product improvement. |
| LW-10722 | LW-11457 | Connecting Rod Assembly | Parts standardization. |
| 74502 | LW-10722 | Connecting Rod Assembly | Product improvement. |
| 71987 | 74502 | Connecting Rod Assembly | Product improvement. |
| 68519 | LW-13923 | Bushing, Connecting Rod | To incorporate bushing with indexing slots. |
| 74644 | 75061 | Bolt, Connecting Rod | Parts standardization. |
| 71087 | 74644 | Bolt, Connecting Rod | Product improvement. |
| 74646 | LW-12186 | Nut, Connecting Rod | Product improvement. |
| 71950 | 74646 | Nut, Connecting Rod | Product improvement. |
| 71086 | 71950 | Nut, Connecting Rod | Product improvement. |
| 72218 | LW-13521 | Bearing | Product improvement. |
| 74530 | 75089 | Piston | To incorporate 2 compression ring piston. |
| 72967 | 74530 | Piston | Product improvement. |
| 71594 | 72967 | Piston | Product improvement. |
| 74059 | 75413 | Piston | Parts standardization. |
| 73196 | 74059 | Piston | To provide wide gap piston rings. |
| LW-13444 | LW-14078 | Pin, Piston | To incorporate new piston pin with positive identification. |
| 69650 | LW-13444 | Pin, Piston | To incorporate new piston pin with carburized I.D. |
| 74061 | 74241 | Ring | Parts standardization. |
| 75254 | 73857 | Ring | Parts standardization. |

Reference Page 3-2.

| | | | |
|-------|----------|--------------------------|----------------------|
| 75874 | LW-12427 | Cylinder & Head Assembly | Product improvement. |
|-------|----------|--------------------------|----------------------|

LYCOMING O-540 SERIES PARTS CATALOG

WIDE CYLINDER FLANGE CRANKCASE MODEL ENGINES

PARTS SUPERSEDURES (CONT.)

SECTION 3 (CONT.)

| Part No. | Superseded by | Name | Remarks |
|---------------------|---------------|------------------|--|
| 60028 | 76943 | Guide | Product improvement. |
| 74230 | 77160 | Guide | To incorporate flangeless valve guides. |
| 69533 | 74230 | Guide | Product improvement. |
| Reference Page 3-3. | | | |
| 72625 | 73938 | Valve | Product improvement. |
| 69534 | 75068 | Valve | Product improvement. |
| 71595 | 69534 | Valve | Product improvement. |
| 65567 | LW-11795 | Spring | Product improvement. |
| 76994 | LW-11800 | Spring | Product improvement. |
| 65427 | 76994 | Spring | Product improvement. |
| 74554 | LW-13323 | Seat | To incorporate new lower valve spring seat with increased I.D. |
| 68327 | LW-10077 | Seat | Product improvement. |
| 73115 | LW-10076 | Seat | Product improvement. |
| 76290 | 78290 | Plunger Assembly | Product improvement. |
| 73062 | 76290 | Plunger Assembly | Product improvement. |
| 72876 | 73062 | Plunger Assembly | Product improvement. |
| 71791 | 72876 | Plunger Assembly | Product improvement. |
| 65074 | 78524 | Socket | Product improvement. |
| 71083 | LW-11485 | Tube | Parts standardization. |
| 75774 | 71083 | Tube | Product improvement. |
| LW-12273 | LW-13428 | Spring | To incorporate new shroud tube spring on parallel heads. |
| 68517 | LW-12273 | Spring | Product improvement. |
| 68518 | LW-12272 | Lockplate | Product improvement. |
| Reference Page 3-4. | | | |
| 71135 | 73434 | Rod Assy. | Product improvement. |
| 71136 | 73435 | Rod Assy. | Product improvement. |

LYCOMING 0-540 SERIES PARTS CATALOG

WIDE CYLINDER FLANGE CRANKCASE MODEL ENGINES

PARTS SUPERSEDURES (CONT.)

SECTION 3 (CONT.)

| Part No. | Superseded by | Name | Remarks |
|---------------------|---------------|-----------------|---|
| 71137 | 73436 | Rod Assy. | Product improvement. |
| 60401 | LW-13790 | Shaft | Product improvement. |
| 61246 | 75906 | Gasket | Product improvement. |
| Reference Page 3-5. | | | |
| STD-2188 | LW-15592-5-05 | Clamp | Product improvement. |
| 72152 | 75339 | Baffle Assembly | To incorporate different baffles on wide cylinder flange. |
| 71104 | 72152 | Baffle Assembly | Product improvement. |

SECTION 4

Reference Page 4-1.

| | | | |
|-------|------------|--------------|------------------------|
| 68874 | LW-12136 | Cushion | Product improvement. |
| 73627 | LW-12707 | Adapter | Product improvement. |
| 78292 | LW-12681 | Gasket | Product improvement. |
| 73820 | 78292 | Gasket | Product improvement. |
| 71601 | 73000 | Coupling | Product improvement. |
| 61566 | LW-52305-1 | Kit Assembly | Parts standardization. |
| 71574 | LW-157209 | Kit | Parts standardization. |
| 71571 | LW-157208 | Kit | Parts standardization. |

Reference Page 4-3.

| | | | |
|-------------|-------------|---------|---|
| LW-10302 | LW-13642 | Gear | Product improvement. |
| LW-12136 | LW-13641 | Cushion | Product improvement. |
| 68874 | LW-12136 | Cushion | Product improvement. |
| 78292 | LW-12681 | Gasket | Product improvement. |
| 73820 | 78292 | Gasket | Product improvement. |
| LW-320297-2 | LW-620026-2 | Clip | To incorporate larger clips for new purple harness. |
| LW-320297-3 | LW-14057 | Clip | Product improvement. |
| LW-320298-3 | LW-14060 | Clip | Product improvement. |

LYCOMING O-540 SERIES PARTS CATALOG

WIDE CYLINDER FLANGE CRANKCASE MODEL ENGINES

PARTS SUPERSEDURES (CONT.)

SECTION 4 (CONT.)

| Part No. | Superseded by | Name | Remarks |
|---------------------|---------------|---------------|---|
| LW-320299-6 | LW-620029-6 | Clip | To incorporate larger clips for new purple harness. |
| LW-320472-4 | LW-320299-6 | Clip | For changing of attaching parts on Piper harnesses. |
| LW-320472-4 | LW-620037-4 | Clip | To incorporate larger clips for new purple harness. |
| LW-320232 | LW-620036-4 | Clip | To incorporate larger clips for new purple harness. |
| LW-320300-7 | 73050 | Clip | Product improvement. |
| LW-89027-17 | LW-14875 | Bracket | Product improvement. |
| 71571 | LW-157208 | Kit | Parts standardization. |
| Reference Page 4-5. | | | |
| 77514 | LW-M-2457 | Harness Assy. | To add Slick Harness Assy. as alternate to 77514. |
| 78535 | LW-M-2463 | Harness Assy. | To add Slick Harness Assy. as alternate to 78535. |
| 77029 | 78535 | Harness Assy. | Product improvement. |
| 75855 | 77029 | Harness Assy. | Product improvement. |
| 71888 | 75855 | Harness Assy. | Product improvement. |
| 66838 | 71888 | Harness Assy. | Product improvement. |
| 77514 | LW-M-2458 | Harness Assy. | To add Slick Harness Assy. as alternate to 77514. |
| 78535 | LW-M-2464 | Harness Assy. | To add Slick Harness Assy. as alternate to 78535. |
| LW-320297-3 | LW-14057 | Clip | Product improvement. |
| LW-320298-3 | LW-14060 | Clip | Product improvement. |

SECTION 5

Reference Page 5-1.

| | | | |
|-------|----------|-----------|----------------------|
| 77345 | LW-10185 | Regulator | Product improvement. |
| 77347 | LW-10179 | Regulator | Product improvement. |
| 74322 | 76026 | Belt | Product improvement. |

LYCOMING O-540 SERIES PARTS CATALOG

WIDE CYLINDER FLANGE CRANKCASE MODEL ENGINES

PARTS SUPERSEDURES (CONT.)

SECTION 5 (CONT.)

| Part No. | Superseded by | Name | Remarks |
|---------------------|---------------|------------|------------------------|
| Reference Page 5-2. | | | |
| 78310 | LW-14316 | Alternator | Product improvement. |
| 77470 | 78310 | Alternator | Product improvement. |
| 78312 | LW-14319 | Alternator | Product improvement. |
| 77346 | 78312 | Alternator | Product improvement. |
| 78314 | LW-14324 | Alternator | Product improvement. |
| 77751 | 78314 | Alternator | Product improvement. |
| LW-10009 | LW-14315 | Alternator | Product improvement. |
| LW-12277 | LW-14322 | Alternator | Product improvement. |
| Reference Page 5-3. | | | |
| 76533 | LW-13039 | Bracket | Product improvement. |
| 73276 | 75380 | Link | Parts standardization. |
| Reference Page 5-5. | | | |
| LW-14207 | LW-15571 | Starter | Product improvement. |
| 76211 | LW-14207 | Starter | Product improvement. |
| 74092 | 76211 | Starter | Product improvement. |
| 73269 | 74092 | Starter | Product improvement. |
| 72567 | 73269 | Starter | Product improvement. |
| LW-14208 | LW-15572 | Starter | Product improvement. |
| 76212 | LW-14208 | Starter | Product improvement. |
| 72462 | 76212 | Starter | Product improvement. |
| 73270 | 72462 | Starter | Product improvement. |
| 71452 | 73270 | Starter | Product improvement. |
| 76773 | LW-12083 | Switch | Product improvement. |
| 61427 | 76773 | Switch | Product improvement. |
| 76775 | LW-12085 | Switch | Product improvement. |
| 76268 | 76775 | Switch | Product improvement. |

LYCOMING O-540 SERIES PARTS CATALOG

WIDE CYLINDER FLANGE CRANKCASE MODEL ENGINES

PARTS SUPERSEDURES (CONT.)

SECTION 5 (CONT.)

| Part No. | Superseded by | Name | Remarks |
|----------|---------------|--------|----------------------|
| 61941 | 76268 | Switch | Product improvement. |

SECTION 6

Reference Page 6-1.

| | | | |
|-------|----------|------------|--|
| 72812 | LW-13306 | Gasket | Product improvement. |
| 71697 | 72056 | Sump Assy. | To relocate nameplate from crankcase to oil sump assy. |

Reference Page 6-2.

There are no supersedures on Page 6-2.

Reference Page 6-3.

| | | | |
|----------|---------------|--------|------------------------|
| STD-1269 | LW-15592-8-28 | Clamp | Product improvement. |
| 60131 | 71973 | Gasket | Parts standardization. |
| 60069 | 73346 | Flange | Product improvement. |

Reference Page 6-4.

| | | | |
|----------|----------|------------|----------------------|
| 71654 | 72740 | Carburetor | Product improvement. |
| 73373 | 72740 | Carburetor | Product improvement. |
| LW-10196 | LW-10540 | Carburetor | Product improvement. |
| 72740 | LW-10196 | Carburetor | Product improvement. |

Reference Page 6-5.

| | | | |
|---------|----------------|------------|----------------------|
| 61581-1 | LW-12098-1-153 | Tube Assy. | Product improvement. |
| 61581-7 | LW-12098-1-183 | Tube Assy. | Product improvement. |
| 61581-2 | LW-12098-1-116 | Tube Assy. | Product improvement. |
| 61581-3 | LW-12098-0-100 | Tube Assy. | Product improvement. |
| 62254 | LW-12293 | Clip | Product improvement. |

LYCOMING O-540 SERIES PARTS CATALOG

WIDE CYLINDER FLANGE CRANKCASE MODEL ENGINES

NUMERICAL INDEX

| PART NO. | PART NAME | PAGE NO. | PART NO. | PART NAME | PAGE NO. |
|----------------|----------------------|----------|---------------|----------------------------|----------|
| AN123857 | "O" ring | 2-5 | LW-12280 | Crankshaft and C'wt. Assy. | 1-5 |
| AN365-632A | Nut | 4-5 | LW-12293 | Clip | 6-5 |
| AN365-632A | Nut | 6-5 | LW-12427 | Cylinder and Head Assy. | 3-2 |
| AN565B1032H5 | Set Screw | 1-9 | LW-12545 | Plug | 6-2 |
| AN6-13 | Bolt | 5-3 | LW-12589 | Insert | 2-1 |
| AN6-14 | Bolt | 5-3 | LW-12681 | Gasket | 4-1 |
| AN6-16 | Bolt | 5-3 | LW-12681 | Gasket | 4-3 |
| AN6-34A | Bolt | 1-10 | LW-12707 | Adapter | 4-1 |
| AN8-14A | Bolt | 1-5 | LW-12795 | Gasket | 2-7 |
| AN932-5 | Plug | 6-1 | LW-12892 | Thrust Button | 3-4 |
| LW-10076 | Seat | 3-3 | LW-13039 | Bracket | 5-3 |
| LW-10077 | Seat | 3-3 | LW-13215 | Oil Filter Assy. | 2-7 |
| LW-10179 | Regulator | 5-1 | LW-13306 | Gasket | 6-1 |
| LW-10185 | Regulator | 5-1 | LW-13323 | Seat | 3-3 |
| LW-10284 | Gear | 1-5 | LW-13428 | Spring | 3-3 |
| LW-10290 | Gear Assy. | 1-8 | LW-13521 | Bearing | 3-1 |
| LW-10297 | Gear Assy. | 1-8 | LW-13641 | Cushion | 4-3 |
| LW-10303 | Plug | 2-4 | LW-13642 | Gear | 4-3 |
| LW-10307 | Gear Assy. | 2-4 | LW-13775 | Impeller Assy. | 2-2 |
| LW-10318 | Gear Assy. | 2-2 | LW-13790 | Shaft | 3-4 |
| LW-10320 | Sleeve | 2-7 | LW-13792 | Seal | 1-4 |
| LW-10321 | Spring | 2-7 | LW-13794 | Stud | 1-1 |
| LW-10331 | Adapter Assy. | 2-5 | LW-13795 | Shaft | 1-8 |
| LW-10332 | Lockplate | 1-5 | LW-13831 | Crankcase Assy. | 1-1 |
| LW-10341 | Insert | 2-1 | LW-13838 | Crankcase Assy. | 1-1 |
| LW-10344 | Body Assy. | 2-2 | LW-13844 | Crankcase Assy. | 1-1 |
| LW-10442 | Gear | 1-9 | LW-13884 | Bearing | 1-4 |
| LW-10540 | Carburetor | 6-4 | LW-13885 | Bearing | 1-4 |
| LW-10541 | Gear Assy. | 1-9 | LW-13896 | Plug | 1-9 |
| LW-10647 | Dowel | 1-1 | LW-13923 | Bushing | 3-1 |
| LW-10660 | Oil Filter Assy. | 2-7 | LW-14021 | Shaft | 1-9 |
| LW-10671 | Gear Assy. | 2-5 | LW-14057 | Clip | 4-3 |
| LW-10916 | Housing Assy. | 2-1 | LW-14057 | Clip | 4-5 |
| LW-11021 | Bearing | 1-4 | LW-14060 | Clip | 4-3 |
| LW-11485 | Tube | 3-3 | LW-14060 | Clip | 4-5 |
| LW-11575 | Bearing | 1-4 | LW-14078 | Pin | 3-1 |
| LW-11750 | Connecting Rod Assy. | 3-1 | LW-14260 | Seal | 2-2 |
| LW-11795 | Spring | 3-3 | LW-14315 | Alternator | 5-2 |
| LW-11800 | Spring | 3-3 | LW-14316 | Alternator | 5-2 |
| LW-12083 | Switch | 5-5 | LW-14319 | Alternator | 5-2 |
| LW-12085 | Switch | 5-5 | LW-14322 | Alternator | 5-2 |
| LW-12098-0-100 | Tube Assy. | 6-5 | LW-14324 | Alternator | 5-2 |
| LW-12098-0-116 | Tube Assy. | 6-5 | LW-14734 | Gage Assy. | 1-3 |
| LW-12098-1-116 | Tube Assy. | 6-5 | LW-14747 | Gage Assy. | 1-3 |
| LW-12098-1-153 | Tube Assy. | 6-5 | LW-14756 | Gage Assy. | 1-3 |
| LW-12098-1-183 | Tube Assy. | 6-5 | LW-14820 | Ring | 1-5 |
| LW-12136 | Cushion | 4-1 | LW-14875 | Bracket | 4-3 |
| LW-12186 | Nut | 3-1 | LW-15571 | Starter | 5-5 |
| LW-12272 | Lockplate | 3-3 | LW-15572 | Starter | 5-5 |
| LW-12279 | Crankshaft Assy. | 1-5 | LW-15592-5-05 | Clamp | 3-5 |

LYCOMING O-540 SERIES PARTS CATALOG

WIDE CYLINDER FLANGE CRANKCASE MODEL ENGINES

NUMERICAL INDEX

| PART NO. | PART NAME | PAGE NO. | PART NO. | PART NAME | PAGE NO. |
|---------------|-------------------------|----------|----------|-----------|----------|
| LW-15592-8-28 | Clamp | 6-3 | STD-33 | Washer | 2-3 |
| LW-15628 | Seal | 1-4 | STD-35 | Washer | 1-9 |
| LW-157208 | Kit | 4-1 | STD-35 | Washer | 2-2 |
| LW-157208 | Kit | 4-3 | STD-35 | Washer | 2-5 |
| LW-157209 | Kit | 4-1 | STD-35 | Washer | 3-4 |
| LW-163010-10 | Magneto | 4-1 | STD-35 | Washer | 5-3 |
| LW-163050-9 | Magneto | 4-1 | STD-35 | Washer | 5-5 |
| LW-320298-2 | Clip | 4-3 | STD-35 | Washer | 6-4 |
| LW-320472-4 | Clip | 4-3 | STD-111 | Gasket | 6-2 |
| LW-349310-1 | Magneto | 4-1 | STD-160 | Washer | 1-10 |
| LW-349310-8 | Magneto | 4-1 | STD-160 | Washer | 2-2 |
| LW-349370-4 | Magneto | 4-1 | STD-160 | Washer | 2-4 |
| LW-382610-11 | Magneto | 4-3 | STD-160 | Washer | 2-5 |
| LW-382698 | Kit | 4-3 | STD-160 | Washer | 2-7 |
| LW-384602-307 | Harness | 4-3 | STD-160 | Washer | 4-5 |
| LW-385146-106 | Magneto Ignition System | 4-3 | STD-160 | Washer | 6-1 |
| LW-51365-46 | Magneto | 4-1 | STD-160 | Washer | 6-3 |
| LW-51365-47 | Magneto | 4-1 | STD-208 | Oil Seal | 2-4 |
| LW-51365-57 | Magneto | 4-1 | STD-208 | Oil Seal | 2-5 |
| LW-52305-1 | Kit Assy. | 4-1 | STD-294 | Gasket | 2-7 |
| LW-620026-2 | Clip | 4-3 | STD-425 | Washer | 1-4 |
| LW-620029-6 | Clip | 4-3 | STD-475 | Washer | 1-9 |
| LW-620036-4 | Clip | 4-3 | STD-475 | Washer | 2-5 |
| LW-620037-4 | Clip | 4-3 | STD-475 | Washer | 3-4 |
| LW-M-2376 | Plate | 4-5 | STD-475 | Washer | 4-1 |
| LW-M-2457 | Harness Assy. | 4-5 | STD-475 | Washer | 4-3 |
| LW-M-2458 | Harness Assy. | 4-5 | STD-475 | Washer | 5-5 |
| LW-M-2463 | Harness Assy. | 4-5 | STD-514 | Dowel | 1-1 |
| LW-M-2464 | Harness Assy. | 4-5 | STD-551 | Plug | 6-1 |
| M-1985-48 | Lead Assy. | 4-5 | STD-553 | Screw | 4-5 |
| M-1985-72 | Lead Assy. | 4-5 | STD-553 | Screw | 6-5 |
| MS124703 | Insert | 2-1 | STD-557 | Dowel | 1-1 |
| MS13997-3 | Key | 3-3 | STD-596 | Nut | 1-3 |
| MS13998-3 | Cap | 3-3 | STD-596 | Nut | 1-10 |
| MS16625-1081 | Ring | 1-8 | STD-670 | Nut | 4-3 |
| MS16625-1100 | Ring | 2-7 | STD-670 | Nut | 4-5 |
| MS20823-6D | Elbow | 3-2 | STD-678 | Washer | 1-3 |
| MS21919-G12 | Clip | 4-3 | STD-678 | Washer | 1-10 |
| STD-8 | Washer | 1-10 | STD-684 | Nipple | 3-5 |
| STD-8 | Washer | 2-2 | STD-690 | Washer | 5-3 |
| STD-8 | Washer | 2-4 | STD-692 | Screw | 4-3 |
| STD-8 | Washer | 2-5 | STD-692 | Screw | 4-5 |
| STD-8 | Washer | 2-7 | STD-696 | Washer | 4-3 |
| STD-8 | Washer | 4-3 | STD-696 | Washer | 4-5 |
| STD-8 | Washer | 4-5 | STD-713 | Pin | 5-3 |
| STD-8 | Washer | 6-1 | STD-784 | Plug | 2-1 |
| STD-8 | Washer | 6-3 | STD-798 | Dowel | 1-9 |
| STD-19 | Dowel | 1-9 | STD-853 | Tee | 6-5 |
| STD-33 | Washer | 1-3 | STD-872 | Nut | 1-10 |
| STD-33 | Washer | 1-10 | STD-872 | Nut | 5-3 |

LYCOMING O-540 SERIES PARTS CATALOG

WIDE CYLINDER FLANGE CRANKCASE MODEL ENGINES

NUMERICAL INDEX

| PART NO. | PART NAME | PAGE NO. | PART NO. | PART NAME | PAGE NO. |
|----------|------------|----------|--------------|------------|----------|
| STD-1045 | Gasket | 1-4 | STD-1937 | Screw | 1-5 |
| STD-1065 | Dowel | 1-5 | STD-2078 | Dowel | 1-5 |
| STD-1173 | Insert | 6-1 | STD-2084 | Bolt | 1-10 |
| STD-1204 | Bolt | 2-2 | STD-2090 | Nut | 3-4 |
| STD-1211 | Plug | 1-5 | STD-2156 | Bolt | 5-5 |
| STD-1215 | Bolt | 2-2 | STD-2167 | Screw | 1-8 |
| STD-1215 | Bolt | 6-3 | STD-2168 | Nut | 1-8 |
| STD-1339 | Plug | 1-1 | 10-720631-48 | Lead Assy. | 4-3 |
| STD-1339 | Plug | 2-2 | 10-720631-78 | Lead Assy. | 4-3 |
| STD-1409 | Nut | 1-10 | 25C-10 | Stud | 2-7 |
| STD-1410 | Nut | 1-9 | 25C-11 | Stud | 6-1 |
| STD-1410 | Nut | 2-5 | 25C-12 | Stud | 2-1 |
| STD-1410 | Nut | 3-4 | 25C-12 | Stud | 2-5 |
| STD-1410 | Nut | 4-1 | 25C-21 | Stud | 2-1 |
| STD-1410 | Nut | 4-3 | 31C-15 | Stud | 6-1 |
| STD-1410 | Nut | 5-5 | 31CD-20 | Stud | 2-1 |
| STD-1410 | Nut | 6-4 | 38-13 | Stud | 1-1 |
| STD-1411 | Nut | 1-10 | 38-15 | Stud | 6-1 |
| STD-1411 | Nut | 2-4 | 38-16 | Stud | 1-1 |
| STD-1411 | Nut | 2-5 | 38D-17 | Stud | 1-1 |
| STD-1411 | Nut | 2-7 | 38-22 | Stud | 1-1 |
| STD-1411 | Nut | 3-3 | 50-15 | Stud | 1-1 |
| STD-1411 | Nut | 6-1 | 383-B | Nut | 3-4 |
| STD-1414 | Bolt | 1-10 | 1028-B | Ball | 1-4 |
| STD-1416 | Bolt | 1-10 | 1102 | Plug | 1-1 |
| STD-1419 | Bolt | 1-10 | 1102 | Plug | 2-1 |
| STD-1419 | Bolt | 2-2 | 1102 | Plug | 3-2 |
| STD-1419 | Bolt | 6-1 | 1102 | Plug | 6-5 |
| STD-1420 | Nut | 2-2 | 1182-B3 | Spark Plug | 4-5 |
| STD-1631 | Dowel | 2-5 | 1182-B6 | Spark Plug | 4-5 |
| STD-1688 | Bolt | 6-1 | 1182-D4 | Spark Plug | 4-3 |
| STD-1727 | Washer | 4-1 | 8313 | Gasket | 2-4 |
| STD-1727 | Washer | 5-3 | 8313 | Gasket | 2-5 |
| STD-1763 | Locknut | 6-4 | 20415 | Gasket | 2-5 |
| STD-1774 | Dowel | 2-4 | 60009 | Key | 3-3 |
| STD-1774 | Pin | 2-5 | 60096 | Gasket | 2-3 |
| STD-1817 | Bolt | 5-3 | 60398 | Bushing | 3-4 |
| STD-1821 | Hose | 3-5 | 60430 | Cover | 2-4 |
| STD-1828 | Bolt | 2-5 | 60430 | Cover | 2-5 |
| STD-1838 | Bolt | 5-3 | 60746 | Impeller | 2-2 |
| STD-1856 | Screw | 2-7 | 60803 | Strap | 1-10 |
| STD-1872 | Insert | 3-2 | 60828 | Plug | 3-1 |
| STD-1874 | Screw | 4-3 | 60945 | Plug | 1-5 |
| STD-1874 | Screw | 4-5 | 61173 | Gasket | 2-7 |
| STD-1875 | Bolt | 2-2 | 61183 | Gasket | 2-4 |
| STD-1882 | Screw | 2-3 | 61247 | Cover | 3-4 |
| STD-1901 | Drive Stud | 6-1 | 61260 | Flange | 3-4 |
| STD-1925 | Screw | 3-4 | 61261 | Stud | 1-1 |
| STD-1925 | Screw | 4-3 | 61261 | Stud | 2-1 |
| STD-1931 | Bolt | 2-2 | 61261 | Stud | 3-2 |

LYCOMING O-540 SERIES PARTS CATALOG

WIDE CYLINDER FLANGE CRANKCASE MODEL ENGINES

NUMERICAL INDEX

| PART NO. | PART NAME | PAGE NO. | PART NO. | PART NAME | PAGE NO. |
|----------|---------------|----------|----------|---------------------|----------|
| 61265 | Stud | 2-1 | 71652 | Gear Assy. | 1-8 |
| 61297 | Impeller | 2-2 | 71668 | Gear Assy. | 1-8 |
| 61298 | Impeller | 2-2 | 71675 | Adapter Assy. | 2-5 |
| 61544 | Plunger | 1-8 | 71699 | Connection | 6-1 |
| 61548 | Nameplate | 6-1 | 71737 | Tube Assy. | 3-5 |
| 62224 | Gasket | 4-1 | 71903 | Bushing | 1-5 |
| 62255 | Clip | 4-3 | 71904 | Counterweight Assy. | 1-5 |
| 62255 | Clip | 4-5 | 71907 | Washer | 1-5 |
| 62817 | Screen Assy. | 2-7 | 71910 | Clamp | 6-5 |
| 62922 | Seal | 3-3 | 71910 | Clamp | 4-5 |
| 65007 | Retainer | 1-1 | 71973 | Gasket | 6-3 |
| 65321 | Gasket | 3-4 | 72022 | Roller | 1-5 |
| 65441 | Seat | 3-3 | 72053 | Gasket | 1-9 |
| 66224 | Gasket | 6-4 | 72056 | Sump Assy. | 6-1 |
| 66610 | Bushing | 3-2 | 72057 | Seat | 3-2 |
| 66796 | Insert | 3-2 | 72058 | Seat | 3-2 |
| 67514 | Gear | 1-5 | 72059 | Gasket | 1-3 |
| 67516 | Lockplate | 1-5 | 72060 | Bushing | 1-5 |
| 67528 | Stud | 1-1 | 72061 | Bushing | 1-5 |
| 67528 | Stud | 2-1 | 72062 | Bushing | 1-5 |
| 67530 | Bushing | 1-8 | 72091 | Ring | 1-4 |
| 67536 | Adapter Assy. | 2-4 | 72155 | Bushing | 1-5 |
| 67556 | Stud | 1-1 | 72158 | Bushing | 1-1 |
| 68315 | Gasket | 2-5 | 72220 | Gasket | 1-3 |
| 68316 | Stud | 1-1 | 72306 | Bracket | 1-3 |
| 68510 | Stud | 3-2 | 72312 | Ring | 1-3 |
| 68593 | Spacer | 2-4 | 72351 | Screw | 4-5 |
| 68668 | Spring | 1-4 | 72378 | Cover | 1-9 |
| 68759 | Tube Assy. | 3-5 | 72412 | Cover | 2-5 |
| 68761 | Tube Assy. | 3-5 | 72565 | Support Assy. | 1-7 |
| 69106 | Cover | 2-5 | 72566 | Gear | 1-7 |
| 69444 | Rocker Assy. | 3-4 | 72740 | Carburetor | 6-4 |
| 69510 | Housing | 2-7 | 72797 | Roller | 1-5 |
| 69551 | Gasket | 2-5 | 72801 | Counterweight Assy. | 1-5 |
| 69603 | Hose | 6-3 | 72815 | Bracket | 4-5 |
| 69796 | Dowel | 1-1 | 72877 | Body | 1-4 |
| 70310 | Seal | 3-3 | 72964 | Gear Assy. | 2-5 |
| 70416 | Roller | 1-5 | 72965 | Roller | 1-5 |
| 70455 | Gasket | 1-9 | 72974 | Gear Assy. | 2-4 |
| 70456 | Bracket | 1-3 | 73000 | Coupling | 4-1 |
| 70457 | Gasket | 1-3 | 73013 | Coupling | 4-1 |
| 70470 | Stud | 2-1 | 73050 | Clip | 4-3 |
| 70484 | Screen | 6-2 | 73120 | Gage Assy. | 1-3 |
| 70485 | Pipe | 6-3 | 73249 | Washer | 1-9 |
| 71481 | Ring | 3-4 | 73250 | Washer | 1-9 |
| 71596 | Washer | 2-4 | 73251 | Washer | 1-9 |
| 71596 | Washer | 2-5 | 73252 | Washer | 1-9 |
| 71610 | Hook | 3-5 | 73346 | Flange | 6-3 |
| 71611 | Retainer | 3-5 | 73383 | Lockplate | 5-3 |
| 71640 | Plug | 1-5 | 73434 | Rod Assy. | 3-4 |

LYCOMING O-540 SERIES PARTS CATALOG

WIDE CYLINDER FLANGE CRANKCASE MODEL ENGINES

NUMERICAL INDEX

| PART NO. | PART NAME | PAGE NO. | PART NO. | PART NAME | PAGE NO. |
|----------|----------------------------|----------|----------|----------------------------|----------|
| 73435 | Rod Assy. | 3-4 | 75944 | Valve Assy. | 2-7 |
| 73436 | Rod Assy. | 3-4 | 75965 | Clamp | 4-1 |
| 73772 | Nozzle Assy. | 1-1 | 75965 | Clamp | 4-3 |
| 73810 | Bushing | 1-5 | 76026 | Belt | 5-1 |
| 73818 | Gasket | 2-1 | 76118 | Spacer | 1-8 |
| 73857 | Ring | 3-1 | 76148 | Camshaft Assy. | 1-5 |
| 73938 | Valve | 3-3 | 76152 | Housing Assy. | 2-1 |
| 74058 | Plug | 1-9 | 76155 | Shaft Assy. | 1-8 |
| 74121 | Carburetor | 6-4 | 76156 | Shield | 2-1 |
| 74225 | Nipple Assy. | 6-5 | 76220 | Stud | 1-10 |
| 74241 | Ring | 3-1 | 76529 | Plug | 1-4 |
| 74323 | Strut | 5-3 | 76534 | Shim | 5-3 |
| 74541 | Valve | 3-3 | 76539 | Seat | 2-7 |
| 74636 | Rocker Assy. | 3-4 | 76734 | Zip Strap | 4-3 |
| 74637 | Bushing | 3-4 | 76734 | Zip Strap | 4-5 |
| 74641 | Shaft | 2-2 | 76943 | Guide | 3-2 |
| 74887 | Spacer | 3-4 | 77160 | Guide | 3-2 |
| 75030 | Support Assy. | 1-7 | 77192 | Crankshaft Assy. | 1-5 |
| 75039 | Crankshaft Assy. | 1-5 | 77193 | Crankshaft and C'wt. Assy. | 1-5 |
| 75040 | Crankshaft and C'wt. Assy. | 1-5 | 77527 | Extension | 1-3 |
| 75061 | Bolt | 3-1 | 77579 | Support Assy. | 1-7 |
| 75068 | Valve | 3-3 | 77770 | Extension | 1-3 |
| 75073 | Crankshaft and C'wt. Assy. | 1-5 | 77852 | Oil Filter Base Assy. | 2-7 |
| 75089 | Piston | 3-1 | 77853 | Oil Filter Housing Assy. | 2-7 |
| 75246 | Fuel Pump | 2-3 | 77872 | Bushing | 1-9 |
| 75339 | Baffle Assy. | 3-5 | 77906 | Spacer | 3-4 |
| 75380 | Link | 5-3 | 78059 | Overvoltage Relay | 5-1 |
| 75413 | Piston | 3-1 | 78060 | Overvoltage Relay | 5-1 |
| 75656 | Bushing | 1-5 | 78290 | Plunger Assy. | 3-3 |
| 75657 | Bushing | 1-5 | 78368 | Pin | 1-8 |
| 75737 | Extension | 1-3 | 78524 | Socket | 3-3 |
| 75761 | Extension | 1-3 | 78528 | Body Assy. | 2-2 |
| 75906 | Gasket | 3-4 | 78589 | Plug | 1-9 |
| | | | 78877 | Belt | 5-1 |